



STATUS®

EN

Cordless chain saw

Original instructions

BG

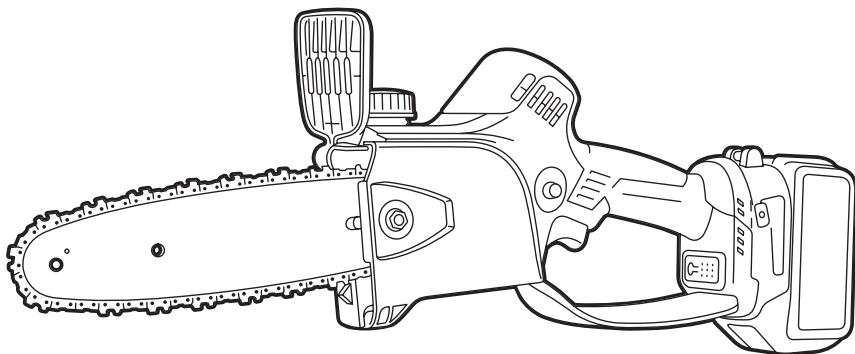
Акумулаторен верижен трион

Оригинална инструкция за използване

RU

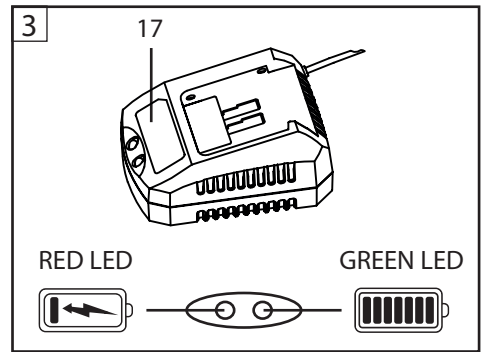
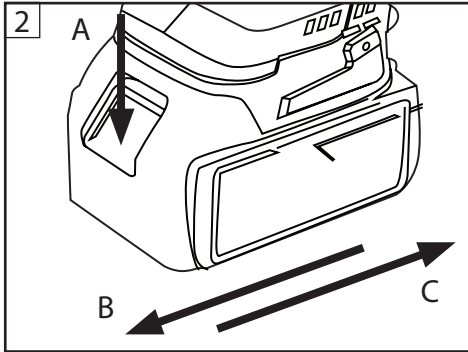
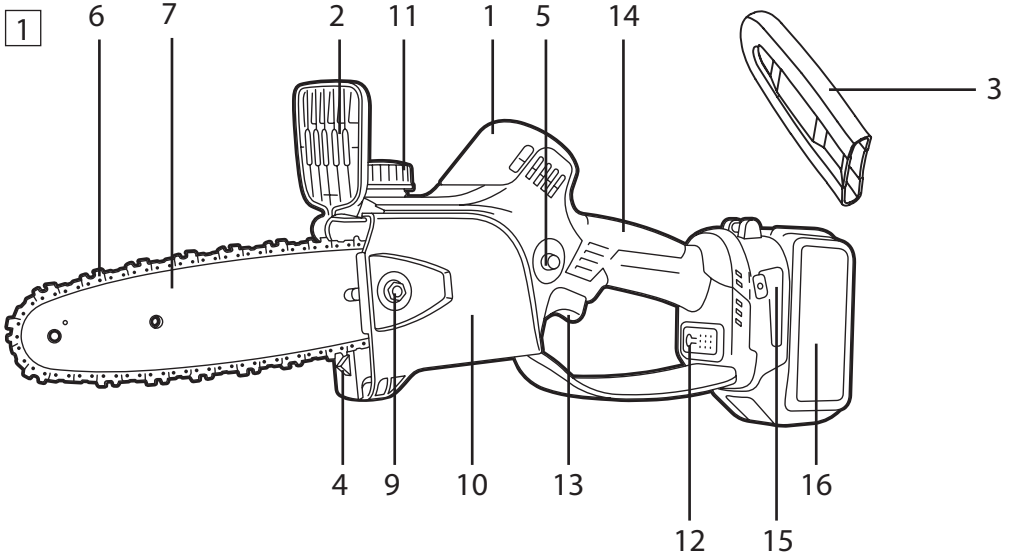
Аккумуляторная цепная пила

Оригинальная инструкция по эксплуатации



SCB200-20 SCB200-20 Kit





INTENDED USE

GENERAL SAFETY RULES

INTENDED USE

The saw is designed for cutting branches and caring for garden trees. The tool is not intended for felling trees.

GENERAL SAFETY RULES

WORK AREA

- **Keep work area clean and well lit.** *Cluttered and dark areas invite accidents.*
- **Do not operate power tools in explosive atmospheres, such as in the presence of flammable liquids, gases or dust.** *Power tools create sparks which may ignite the dust or fumes.*
- **Keep children and bystanders away while operating a power tool.** *Distractions can cause you to lose control.*

ELECTRICAL SAFETY

- **Power tool plugs must match the outlet. Never modify the plug in any way. Do not use any adapter plugs with earthed (grounded) power tools.** *Unmodified plugs and matching outlets will reduce risk of electric shock.*
- **Avoid body contact with earthed or grounded surfaces such as pipes, radiators, ranges and refrigerators.** *There is an increased risk of electric shock if your body is earthed or grounded.*
- **Do not expose power tools to rain or wet conditions.** *Water entering a power tool will increase the risk of electric shock.*
- **Do not abuse the cord. Never use the cord for carrying, pulling or unplugging the power tool. Keep cord away from heat, oil, sharp edges or moving parts.** *Damaged or entangled cords increase the risk of electric shock.*
- **When operating a power tool outdoors, use an extension cord suitable for outdoor use.** *Use of a cord suitable for outdoor use reduces the risk of electric shock.*
- **Connect the electric power tool to electricity, using a 16 A maximum secure contact protected outlet (220-240V~, 50 Hz).** *We recommend you to attach a residual current circuit-breaker (RCD) that does not exceed 30mA.*

PERSONAL SAFETY

- **Stay alert, watch what you are doing and use common sense when operating a power tool. Do not use a power tool while you are tired or under the influence of drugs, alcohol or medication.** *A moment of inattention while operating power tools may result in serious personal injury.*
- **Use safety equipment. Always wear eye protection.** *Safety equipment such as dust mask, non-skid safety shoes, hard hat, or hearing protection used for appropriate conditions will reduce personal injuries.*

GENERAL SAFETY RULES

- **Avoid accidental starting.** Ensure the switch is in the off position before plugging in. *Carrying power tools with your finger on the switch or plugging in power tools that have the switch on invites accidents.*
- **Remove any adjusting key or wrench before turning the power tool on.** *A wrench or a key left attached to a rotating part of the power tool may result in personal injury.*
- **Do not overreach. Keep proper footing and balance at all times.** *This enables better control of the power tool in unexpected situations.*
- **Dress properly. Do not wear loose clothing or jewellery. Keep your hair, clothing and gloves away from moving parts.** *Loose clothes, jewellery or long hair can be caught in moving parts.*
- **If devices are provided for the connection of dust extraction and collection facilities, ensure these are connected and properly used.** *Use of these devices can reduce dust related hazards.*

POWER TOOL USE AND CARE

- **Do not force the power tool. Use the correct power tool for your application.** *The correct power tool will do the job better and safer at the rate for which it was designed.*
- **Do not use the power tool if the switch does not turn it on and off.** *Any power tool that cannot be controlled with the switch is dangerous and must be repaired.*
- **Disconnect the plug from the power source before making any adjustments, changing accessories, or storing power tools.** *Such preventive safety measures reduce the risk of starting the power tool accidentally.*
- **Store idle power tools out of the reach of children and do not allow persons unfamiliar with the power tool or these instructions to operate the power tool.** *Power tools are dangerous in the hands of untrained users.*
- **Maintain power tools. Check for misalignment or binding of moving parts, breakage of parts and any other condition that may affect the power tools operation. If damaged, have the power tool repaired before use.** *Many accidents are caused by poorly maintained power tools.*
- **Keep cutting tools sharp and clean.** *Properly maintained cutting tools with sharp cutting edges are less likely to bind and are easier to control.*
- **Use the power tool, accessories and tool bits etc. in accordance with these instructions, taking into account the working conditions and the work to be performed.** *Use of the power tool for operations different from those intended could result in a hazardous situation.*

SERVICE

- **Have your power tool serviced by a qualified repair person using only identical replacement parts.** *This will ensure that the safety of the power tool is maintained.*

Chain saw safety warnings

Battery tool use and care

- Recharge only with the charger specified by the manufacturer. A charger that is suitable for one type of battery pack may create a risk of fire when used with another battery pack.
- Use power tools only with specifically designated battery packs. Use of any other battery packs may create a risk of injury and fire.
- When battery pack is not in use, keep it away from other metal objects, like paperclips, coins, keys, nails, screws or other small metal objects, that can make a connection from one terminal to another. Shorting the battery terminals together may cause burns or a fire.
- Under abusive conditions, liquid may be ejected from the battery; avoid contact. If contact accidentally occurs, flush with water. If liquid contacts eyes, additionally seek medical help.

Chain saw safety warnings

- Keep all parts of the body away from the saw chain when the motor is operating. Before you start the saw, make sure the sawchain is not contacting anything. A moment of inattention while operating chain saws may cause entanglement of your clothing or body with the saw chain.
- Always hold the chain saw with your right hand on the rear handle and your left hand on the front handle. Holding the chain saw with a reserved hand configuration increases the risk of personal injury and should never be done.
- Hold the power tool by insulated gripping surfaces only, because the saw chain may contact hidden wiring. Saw chains contacting a “live” wire may make exposed metal parts of the power tool “live” and could give the operator an electric shock.
- Wear safety glasses and hearing protection. Further protective equipment for head, hand, legs and feet is recommended. Adequate protective clothing will reduce personal injury by flying debris or accidental contact with saw chain.
- Do not operate a chain saw in a tree. Operation of a chain saw in a tree, may result in personal injury.
- Always keep proper footing and operate the chain saw only when standing on fixed, secure and level surface. Slippery or unstable surfaces such as ladders may cause a loss of balance or control of the chain saw.
- When cutting a limb that is under tension be alert for spring back. When the tension in the wood fibres is released the spring loaded limb may strike the operator and/or throw the chain saw out of control.
- Use extreme caution when cutting brush and saplings. The slender material may catch the saw chain and be whipped toward you or pull you off balance.

Chain saw safety warnings

- Carry the chain saw by the front handle with the saw chain stopped and the guide bar pointing to the rear. When transporting or storing the chain saw always fit the guide bar cover. Proper handling of the chain saw will reduce the likelihood of accidental contact with the moving saw chain.
- Follow instructions for lubricating, chain tensioning and changing accessories. Improperly tensioned or lubricated chain may either break or increase the chance for kickback.
- Keep handles dry, clean, and free from oil and grease. Greasy, oily handles are slippery causing loss of control.
- Cut wood only. Don't use chain saw for purposes not intended – for example – Don't use chain saw for cutting plastic, masonry or non-wood building materials. Use of the chain saw for operations different than intended could result in a hazardous situation.

Causes and operator prevention of kickback:

- Kickback may occur when the nose or tip of the guide bar touches an object, or when the wood closes in and pinches the saw chain in the cut. Tip contact in some cases may cause a sudden reverse reaction, kicking the guide bar up and back towards the operator. Pinching the saw chain along the top of the guide bar may push the guide bar rapidly back towards the operator. Either of these reactions may cause you to lose control of the saw which could result in serious personal injury. Do not rely exclusively upon the safety devices built into your saw. As a chain saw user, you should take several steps to keep your cutting jobs free from accident or injury. Kickback is the result of tool misuse and/or incorrect operating procedures or conditions and can be avoided by taking proper precautions as given below:
- Maintain a firm grip, with thumbs and fingers encircling the chain saw handles, with both hands on the saw and position your body and arm to allow you to resist kickback forces. Kickback forces can be controlled by the operator, if proper precautions are taken. Do not let go of the chain saw.
- Do not over reach and do not cut above shoulder height. This helps prevent unintended tip contact and enables better control of the chain saw in unexpected situations.
- Only use replacement bars and chains specified by the manufacturer. Incorrect replacement bars and chains may cause chain breakage and/ or kickback.
- Follow the manufacturer's sharpening and maintenance instructions for the saw chain. Decreasing the depth gauge height can lead to increased kickback.
- A power source with a voltage greater than that specified for the tool can result in serious injury to the user, as well as damage to the tool.
- If in doubt, do not plug in the tool.
- Using a power source with a voltage less than the nameplate rating is harmful to the motor.
- Fully unwind cable drum extensions to avoid potential overheating.

Chain saw safety warnings

- When an extension cable is required, you must ensure that it has the right amperage rating for your power tool and it is in safe electrical condition.
- **WARNING:** Always switch off and unplug the power tool prior to any adjustment, servicing or maintenance.
- While operating the machine, always hold it firmly with both hands and provide for a secure stance. The power tool is guided more securely with both hands.
- Always keep the cable away from the working area of the power tool. Keep cable or extension cable away from oil, sharp edges or heat sources.
- Never use the machine with a damaged cable. Do not touch the damaged cable and pull the mains plug when the cable is damaged while operating. Damaged cables increase the risk of electric shock.
- Check regularly the cable and the extension cable. In case of damage disconnect immediately the cable from the mains. If the replacement of the cable is necessary, this has to be done by the manufacturer or his agent in order to avoid a safety hazard.
- Always be sure you have a firm footing. Be sure no one is below when using the tool in high locations.
- Keep work area clean.
- The tool must be used only for its prescribed purpose. Any use other than those mentioned in this manual will be considered a case of misuse. The user and not the manufacturer shall be liable for any damage or injury resulting from such cases of misuse.
- To use this tool properly, you must observe the safety regulations, the assembly instructions and the operating instructions found in this manual. All persons who use and service the machine have to be acquainted with this manual and must be informed about its potential hazards.
- Children and frail people must not use this power tool. Children should be supervised at all times if they are in the area in which the tool is being used. It is also imperative that you observe the accident prevention regulations in force in your area. The same applies for general rules of occupational health and safety.
- The manufacturer shall not be liable for any changes made to the tool nor for any damage resulting from such changes.
- Do not operate the machine if the chain is damaged or heavily worn out.
- Switch off and unplug the machine and prior to: transportation, conservation, inspection or maintenance. Place the sheath on the guide bar when transporting the chain saw or during storage.
- Do not operate the machine in the presence of flammable gases or liquids.
- Carry the chain saw by the front handle with the guide bar pointing forward.
- Never carry the chain saw by the cable.
- Familiarize with the chain saw capabilities and do not attempt operations which might overload it.

TOOL PARTS OVERVIEW

- Prior to performing a cut, check wood for presence of extraneous objects (wedges, nails, pebbles, etc.).
- In case the chain and/or guide bar jams: stop the machine, unplug the cable from mains, use non-metal tool to release the chain without applying extensive force.
- It is recommended that the first time user should have practical instruction in the use of the chain saw and the protective equipment from an experienced operator and that the initial practice should be cutting logs on a saw horse or cradle.
- Power tools must not be used outdoors in rainy weather, or in moist environment (after rain) or in close vicinity with easily flammable liquids and gases. The working place should be well lit.

TOOL PARTS OVERVIEW

- | | |
|-------------------------------|-----------------------------|
| 1. Grip surface | 10. Chain sprocket cover |
| 2. Guard | 11. Battery state indicator |
| 3. Chain scabbard | 12. Oil tank cap |
| 4. Limit stop | 13. Trigger switch |
| 5. Lockout lever | 14. Control handle |
| 6. Saw chain | 15. Battery compartment |
| 7. Guide bar | 16. Battery |
| 8. Chain sprocket (not shown) | 17. Charger |
| 9. Nut | |



Wear ear protection.



Wear protective gloves



Wear eye protection



Wear a mask

ASSEMBLING THE SAW

CHARGING BATTERY PACK (Fig. 3)

Lights	Status
Red off, Green on	Plugged in / Fully charged
Red on, Green off	Charging in progress
Red off, Green flashing	Battery is overheated
Red flashing, Green off	Battery is defected

ASSEMBLING THE SAW

FITTING AND REMOVING THE BATTERY PACK (Fig. 2)

To remove the battery: Press release button in the indicated direction (A) and pull the battery out of the machine body. (B)

To insert the battery: Place the battery into the base of the machine and slide it until it locks with an audible click. (C)

Mounting and Removing the Bar and Chain (Fig. 4)

The chain saw is supplied assembled and does not require assembly. If service or replacement of the bar/chain is necessary, follow the instructions.

Removing the Bar and Chain

1. Turn off the saw and remove the battery.
2. Turn the nut (9) counterclockwise and remove it.
3. Remove cover (10).
4. Remove bar and chain.

Mounting the Bar and Chain

1. Turn off the saw and remove the battery.
2. Turn the nut (9) counterclockwise and remove it.
3. Remove cover (10).
4. Install the slotted bar on the axle pin
5. Install the chain in the groove of the bar so that it engages securely with the drive sprocket (3). The direction of the arrows on the chain must match the direction on the saw body.
6. Install cover (10) flush with saw body.
7. Tighten the nut (8) without using a wrench.
8. Grasp the chain with two fingers in the middle of the bar and pull until there is maximum clearance. The correct tire tension corresponds to a gap of 1-2 mm. If the gap is outside these limits, then adjust by turning the tensioner screw (between the tire and the toothed stop).
9. Tighten the nut (8) using a wrench.

Filling Up with Saw Chain Oil

The saw chain oil lubricates and cools the rotating chain.

1. switch off chain saw, engage chain brake and remove battery
2. Place your chainsaw on a level surface so that the oil tank cap faces up.
3. Use a damp cloth to clean the oil tank cap and the area around it.
4. With a suitable tool, turn the oil tank cap counterclockwise until it can be removed.
5. Remove the oil tank cap.
6. Fill up with saw chain oil, taking care not to spill any oil and not to overfill the tank.
7. Place the oil tank cap on the tank opening.
8. With a suitable tool, turn the oil tank cap clockwise and tighten it down firmly. The oil tank is closed.

OPERATION

SWITCHING ON - SWITCHING OFF

- Turn machine in by pressing button 12.
- Hold the saw firmly with one hand on the grip area of the control handle (14) – wrap your thumb around the control handle.
- Hold and control the tool with your other hand on the grip surface (1).
- Depress the lockout lever (5) with your thumb and hold it there.
- Pull the trigger (13) with your index finger and hold it there.
- The motor accelerates and the chain rotates.

Sawing

- **WARNING!** When kicking back, the saw may be thrown towards the user. This is fraught with serious injury.
- Run at full throttle.
- Do not cut with the top quarter of the top of the guide bar.
- Insert the guide bar at full throttle into the cut so that the bar does not warp.
- Install the spiked stop and use it as a pivot point.
- Fully insert the bar into the wood so that the spiked stop is permanently set.
- At the end of the cut, bear the weight of the saw.

Pruning

- Saw to lean on the trunk.
- Press the guide bar at full throttle against the branch like a lever.
- Saw the branch with the top side of the bar.
- If the branch is under tension: make a relaxing cut on the side of the compressive forces and then make a cut on the side of the tensile forces.
-

After work

- Switch off the saw, engage the chain brake and remove the battery.
- If the saw is damp, it must be dried.
- If the battery is wet, it must be dried.
- Clean the saw and battery.
- Clean guide bar and saw chain.
- Loosen the chain tension.
- Put a protective cover on the guide bar so that it covers the entire bar.

MAINTENANCE

WARNING: Always switch off and unplug battery prior to any inspection or maintenance. To ensure product long life and safe operation, perform the below described maintenance procedures regularly.

WARNING: Always wear protective gloves when handling the guide bar and chain. Regularly check for obvious defects such as loose, stretched or damaged chain and guide bar, loose fixings and worn or damaged components. Check that covers and safety devices are undamaged and correctly fitted. Carry out necessary maintenance before using the chain saw. If the chain saw is faulty, repair should be carried out in authorized service centre.

NOTE: Before returning the chain saw to an authorized service centre ensure that the oil tank has been emptied completely.

REPLACING THE GUIDE BAR AND CHAIN

Fit the chain and guide bar as described above. The guide bar groove wears with time. The bar side contacting with the machine should be reversed periodically to ensure uniform wear. Check the drive sprocket. If it has worn out or damaged due to strain, have it replaced in authorized service centre. If the chain has worn out or damaged, have it replaced in authorized service centre.

GUIDE BAR MAINTENANCE

Most guide bar problems can be prevented merely by keeping the chain saw well maintained. Improper filing and non-uniform cutter and depth gauge settings cause most guide bar problems, resulting mainly in uneven bar wear. As the bar wears unevenly, the rails widen, which may cause chain clatter and difficulty in making straight cuts. Insufficient guide bar lubrication and operating the saw with a chain this is too tight will contribute to rapid bar wear. To help minimize bar wear, the following guide bar maintenance is recommended.

CLEANING THE GUIDE BAR GROOVE

Remove side cover, bar and chain. Using a bar-groove cleaner (not included in the kit) or a screwdriver, putty knife, wire brush or other similar tools, clean residue from the bar groove. This will keep the oil passages open and provide proper lubrication to the bar and chain. Reinstall the bar, chain (adjust tension) sprocket cover and locking knob.

CHAIN MAINTENANCE

WARNING: Unless you have experience and specialized training for dealing with kickback, always use a low-kickback saw chain, which significantly reduces the danger of kickback. Low-kickback saw chains do not completely eliminate kickback. Low-kickback or “safety” chains, should never be regarded as total protection against injury. Always replace a worn out chain with a new low-kickback chain.

STORAGE

- When storing the machine in its original packaging the oil tank must be completely emptied.
- To prevent leakage lay the machine down horizontally (with the oil tank cap facing upwards).
- Clean the machine with a soft brush or dry cloth without using solvent.
- Store in a secure, dry place out of the reach of children.

When storing the machine for long periods remove the guide bar and the chain and store them well lubricated.

CLEANING

For safe operation always keep the machine and its ventilation slots clean.

Regularly check to see if any dust or foreign matter has entered the ventilation slots and the grills around the switches. Use a soft brush and/or air jet to remove any accumulated dust. Wear safety glasses to protect your eyes whilst cleaning.

Exterior plastic parts may be cleaned with a damp cloth and mild detergent if necessary.

WARNING! Never use alcohol, petrol or other cleaning agent. Never use caustic agents to clean plastic parts. Water must never come into contact with the tool.

REPLACEMENT PARTS

To assure product safety and reliability, repairs, maintenance and adjustment (including brush inspection and replacement) should be performed by authorised service centres always using genuine replacement parts.

TECHNICAL SPECIFICATIONS

CE DECLARATION OF CONFORMITY

TECHNICAL SPECIFICATIONS

Model	SCB200-20, SCB200-20 Kit
Rated voltage	20 V
Charger input voltage	220-240V~
No load rotation speed	4600 RPM
No load chain speed	12 m/s
Guide bar length	200 mm (8")
Chain pitch	1/4"
Number of drive links	48
Drive link gauge/groove width	1.1 mm
Battery	Li-Ion, 4 Ah
Charging time	120 min
Weight	2.1 kg
A-weighted sound pressure level LpA	< 70 dB(A)
A-weighted sound power level LwA	< 80 dB(A)
Vibration emission value ah	< 2.5 m/s ²
Includes	battery saw, charger, battery (1 pc.), bar, chain, scabbard, instruction manual

The manufacturer reserves the right to make changes and improvements to the products and to alter specifications without prior notice.

CE DECLARATION OF CONFORMITY

We STATUS ITALIA S.R.L. as the responsible manufacturer declare that the following STATUS machine(s): Cordless chain saw Model No./ Type: **SCB200-20 , SCB200-20 Kit** are of series production and conforms to the following European Directives:

2014/30/EU, 2006/42/EC.

And are manufactured in accordance with the following standards or standardised documents: **EN55014-1:2017+A11:2020, EN55014-2:2015, EN IEC 61000-3-2:2019, EN61000-3-3:2013, EN62841-1:2015, EN62841-4-1:2020, EN ISO 12100:2010.**

The technical documentation kept by the manufacturer: STATUS ITALIA S.R.L.,
via Aldo Moro, 14/A, 36060 - Pianezze (VI), ITALY



Caron Giacinto
Director
STATUS Italia S.r.l.

ПРЕДНАЗНАЧЕНИЕ НА УРЕДА ОСНОВНИ ИЗИСКВАНИЯ ЗА БЕЗОПАСНОСТ

ПРЕДНАЗНАЧЕНИЕ НА УРЕДА

Трионът е предназначен за рязане на клони и грижа за градински дървета. Инструментът не е предназначен за сечене на дървета.

ОСНОВНИ ИЗИСКВАНИЯ ЗА БЕЗОПАСНОСТ

РАБОТНО МЯСТО

- Пазете работното си място в чисто състояние, без каквито и да било странични предмети. *Работното място трябва да бъде добре осветено за избягване на нещастни случаи.*
- Не използвайте уреда за работа във взривоопасна атмосфера и в близост до лесно възпламеними течности. *Електрическият двигател на уреда по време на работа изпуска искри и това може да стане причината за пожар.*
- По време на работа не се допуска присъствието на странични лица и деца на работното място.

ЕЛЕКТРИЧЕСКА БЕЗОПАСНОСТ

- Мрежовата розетка трябва да съответства на щепселната вилка, която е монтирана на мрежовия кабел на уреда. *Забранено е да внасяте промени в конструкцията на вилката и да използвате каквито и да било преходни елементи.*
- По време на работа избягвайте контакта със заземени предмети: водопроводни тръби, отоплителни радиатори и други. *При контакт със заземени предмети рискът от електрически удар значително нараства.*
- Предпазвайте уреда от въздействието на водата и повишената влажност. *Попадането на вода във вътрешността на уреда може да причини електрически удар.*
- Пазете мрежовия кабел на уреда. Не бива да използвате кабела за пренасяне на уреда, не бива да дърпате кабела, за да изключите уреда. Разполагайте кабела по време на работа далеч от източници на топлина, подвижни части на уреда и предмети с остри краища. *Повреденият кабел може да стане причината за електрически удар.*
- При работа с уреда извън помещенията е необходимо да използвате удължител, който е специално предназначен за експлоатация на открито. *Използването на специален удължител съществено понижава риска от електрически удар.*
- Параметрите на мрежата, в която да включите уреда, трябва да съответстват на параметрите, посочени върху фабричната табелка на уреда (220-240 V~, 50 Hz).

ЛИЧНА БЕЗОПАСНОСТ

- Не бива да работите с уреда в състояние на алкохолно или наркотично опиянение, под въздействието на лекарства или ако сте болни. *Краткосрочната загуба на контрол над уреда по време на работа може да стане причината за тежки травми.*

ОСНОВНИ ИЗИСКВАНИЯ ЗА БЕЗОПАСНОСТ

- **Винаги използвайте средства за индивидуална защита, както и защитни очила.** Към средствата за индивидуална защита можем да включим следните: респиратор, обувки, които не се хлъзгат, както и шумозащитни наушници. *Прилагането на средства за защита ще направи работата ви по-комфортна и безопасна.*
- **Бъдете внимателни: при включване на уреда в мрежата, клавишът на изключвателя не бива да бъде фиксиран във включено положение.** *Това ще помогне за избягване на случайното включване на уреда.*
- **Преди включване на уреда, от него трябва да бъдат свалени регулиращите инструменти, отвертките и други.** *Попадането на инструмента в подвижните части на уреда при включване може да стане причината за настъпване на травми и да доведе до излизането му от строя.*
- **По време на работа е необходимо да заемате устойчиво положение. Винаги стойте върху устойчива опора.** *Загубата на равновесие по време на работа може да стане причината за настъпване на тежки травми.*
- **Не бива да обличате за работа прекомерно свободни дрехи. Преди началото на работа свалете бижутата, които носите. Ако имате дълга коса, приберете я под шапка за коса.** *Попадането на краищата на дрехите, бижутата и косата в движещите се части на уреда може да причини травми.*
- **Ако е предвидено включването на прахосмукачка към уреда, е задължително да я включите преди работа.** *Ефективното почистване на праха от работната зона ще направи работата ви по-удобна и ще запази здравето ви.*

БЕЗОПАСНА ЕКСПЛОАТАЦИЯ И СЪХРАНЕНИЕ НА УРЕДА

- **Не бива да претоварвате уреда. За всеки вид работа използвайте само онзи вид инструмент или приспособление, които са предназначени за това.**
- **Не използвайте уреда, ако изключвателят му е повреден.** *Ако изключвателят не работи както трябва, и включването/изключването на уреда е затруднено, изключвателят трябва да бъде незабавно подменен.*
- **Винаги изключвайте уреда от мрежата, преди да регулирате уреда или да подменяте приставката.** *Това ще ви помогне да избегнете случайното включване на уреда по време на работите за обслужването му.*
- **Съхранявайте уреда на място, което е недостъпно за деца и лица, които нямат необходимите навици за работа с уреда.** *Лице, което преди това не е работило с такъв тип инструмент, преди началото на работата трябва внимателно да прочете тази инструкция.*
- **Преди да започнете работа, внимателно проверете състоянието на уреда: за лекотата на преместване на подвижните части, за липсата на повредени корпусни детайли и приспособления.** *Всяка повредена част на изделието или приспособление трябва да бъде подменена преди началото на работата.*
- **Съхранявайте режещото приспособление в чист вид, добре наточено и смазано.**

Допълнителни указания за безопасност при работа с верижни триони

- Използвайте инструмента и приспособлението само и единствено за извършване на тези видове работи, които са предвидени в инструкциите за експлоатация на съответния уред. Експлоатацията на уреда не по предназначение може да доведе до счупването му и да причини травми.

СЕРВИЗНО ОБСЛУЖВАНЕ

- Ремонтът на уреда трябва да се извършва в оторизиран сервизен център, от квалифициран персонал и само и единствено с оригинални резервни части. Използването на резервни части, които не са сертифицирани от производителя на съответния уред може да доведе до излизане на уреда от строя и нарушаване на нормите за електрическа безопасност на уреда.

Използване и наблюдение на електроинструмент, захранване С акумулаторна батерия

- Да се презарежда само със зарядно устройство, определено от производителя. Зарядно устройство, което е подходящо за един тип батериен блок, може да създаде риск, когато се използва с друг батериен блок.
- Да се използват електроинструменти само със специално проектирани батерийни блокове. Използването на каквито и да са други батерийни блокове може да създаде риск от нараняване и пожар.
- Когато не се използва, батерийният блок да се държи далече от други метални обекти, като кламери за хартия, монети, ключове, гвоздеи, винтове или други дребни метални предмети, които могат да свържат една клемма към друга. Свързването на късо на клемите на акумулаторната батерия може да предизвика горене или пожар.
- При неблагоприятни условия от акумулаторната батерия може да изтича течност; да се избягва допир. Ако случайно се получи допир, да се промие с вода. Ако попадне течност в очите, да се потърси допълнително медицинска помощ. Изтеклата от акумулаторната батерия течност може да предизвика възпаление или изгаряния.

ДОПЪЛНИТЕЛНИ УКАЗАНИЯ ЗА БЕЗОПАСНОСТ

- Дръжте всички части на тялото далече от работещ трион. Уверете се преди започване на работа, че режещата верига не се допира до нищо. При работа с верижен трион момент на невнимание може да доведе до това, че облекло или част от тялото ви да бъде захванато от режещата верига.
- Винаги дръжте верижния трион с дясната си ръка върху задната ръкохватка и с лявата ръка върху предната ръкохватка. Държането на верижния трион с разменено положение на ръцете увеличава риска от наранявания и никога не трябва да се прави.

Допълнителни указания за безопасност при работа с верижни триони

- Дръжте електроинструмента само за изолираните повърхности за захващане, защото режещата верига може да допре до скрита ел.инсталация или до собствения шнур. Допирът на режещата верига до проводник под напрежение ще постави откритите метални части на електроинструмента под напрежение и операторът ще получи токов удар.
- Носете предпазни очила и средства за защита на слуха. Препоръчват се допълнителни предпазни средства за глава, ръце, крака и стъпала. Подходящото защитно облекло намалява опасността от нараняване чрез хвърчащи наоколо трески и случайно докосване на режещата верига.
- Не работете с верижния трион покатерени на дърво. При работа с верижен трион от дърво съществува опасност от нараняване на оператора
- Винаги поддържайте правилен стоеж и работете с верижния трион само когато стоите върху неподвижна, сигурна и равна повърхност. Хлъзгави или нестабилни повърхности като стълби, могат да доведат до загуба на равновесие или загуба на контрол върху верижния трион.
- Когато режете клон, който е подложен на външно натоварване, пазете се от отпружиниращ удар. Когато се освободи напрежение то от дървесните влакна, клоните отскачат и могат да ударят оператора и/или верижния трион, което може да предизвика загуба на контрол.
- Бъдете особено предпазливи при рязане на храсти и фиданки. Вейките могат да се заплетат в режещата верига и да ви ударят или да ви извадят от равновесие.
- Носете верижния трион за предната ръкохватка, с изключен прекъсвач и далече от тялото си. При транспортиране или съхранение на верижния трион винаги поставяйте предпазния калъф на водещата шина. Правилното манипулиране с верижния трион намалява вероятността от случаен допир и нараняване по невнимание от движещата се режеща верига.
- Следвайте инструкциите за смазване, натягане на веригата и смяна на принадлежностите. Неправилно натегнатата или смазана верига може да се скъса или да увеличи риска от обратен удар (отскок).
- Поддържайте ръкохватките сухи, чисти, неомаслени и без грес. Омаслените или зацапани с грес ръкохватки са хлъзгави и водят до загуба на контрол.
- Използвайте триона само за рязане на дървесина. Не използвайте верижния трион за работа, за която не е предназначен. Например не използвайте верижния трион за рязане на пластмаса, зидария или строителни материали, които не са от дървесина. Използването на верижния трион за нерегламентирана работа може да предизвика опасни ситуации.

Допълнителни указания за безопасност при работа с верижни триони

Причини и предотвратяване на обратен удар (отскок):

Обратен удар може да се получи, когато върхът на водещата шина докосне обект или когато разрезът в дървото се затвори и режещата верига се заклини в него. Челният допир с върха на шината може да предизвика светкавичен обратен удар, при който шината отскача нагоре и назад към оператора. Заклинването на веригата в горната част на шината може рязко да изтласка шината към оператора. Всеки един от тези обратни удари може да предизвика загуба на контрол върху триона и да причини сериозна злополука. Не разчитайте само на вградените във верижния трион устройства за безопасност. Като оператори на верижен трион трябва да предприемете мерки, за да намалите опасността от злополука по време на работа. Обратният удар е следствие на погрешни и/или неправилни методи на работа с електроинструмента. Той може да бъде предотвратен чрез подходящи мерки, като описаните тук:

- Дръжте здраво триона с две ръце, така че палецът и пръстите да обхващат ръкохватките на верижния трион. Вашето тяло и раменете трябва да са в положение, в което да можете да устоите на обратния удар. В случай, че се предприемат подходящи мерки, потребителят може да овладее обратния удар. Никога не изпускайте триона да падне.
- Не работете с протегнати ръце и не режете над височината на раменете. По този начин се избягва неволен допир до върха на шината и позволява по-добър контрол на верижния трион в непредвидени ситуации.
- Използвайте само предписаните от производителя шини и вериги за подмяна. Неправилна замяна на шини и режещи вериги може да доведе до скъсване на веригата и/или обратен удар.
- Следвайте инструкциите на производителя за заточване и поддържане на режещата верига. Намалването на височината на калибъра за дълбочина може да усилва обратния удар.
- ПРЕДУПРЕЖДЕНИЕ: Преди да свържете електроинструмента към захранващата мрежа, убедете се, че захранващото напрежение отговаря на посоченото върху табелката с технически данни на електроинструмента.
- Източник на захранване с напрежение, по-високо от посоченото за електроинструмента, може да предизвика както сериозно поражение от електрически ток върху оператора, така и повреда на електроинструмента.
- Ако имате някакви колебания, не поставяйте щепсела на електроинструмента в контактното гнездо.
- Използването на източник на захранване с напрежение, по-ниско от обозначеното върху табелката на електроинструмента, ще увреди електродвигателя.
- а да се предотврати евентуално прегряване, винаги развивайте докрай кабела от удължител с кабелен барабан.
- Когато се налага използването на удължител, убедете се, че сечението му отговаря на номиналния ток на използвания електроинструмент, както и в изправността на удължителя.

Допълнителни указания за безопасност при работа с верижни триони

- Докато работите винаги дръжте машината здраво с двете си ръце и поддържайте стабилно положение на тялото. Електроинструментът се направлява по-безопасно, когато го държите с две ръце.
- Дръжте захранващия кабел извън работния обсег на машината. Не позволявайте кабела или удължителя да попадат в масло, върху режещи предмети или топлинен източник;
- Не използвайте електроинструмента с повреден кабел. Не докосвайте повредения кабел и извадете щепсела от контакта, ако кабелът се повреди по време на работа. Повредените кабели повишават риска от токов удар.
- Проверявайте често състоянието на кабела и неговия удължител. Ако има увреждания, незабавно изключете захранващия кабел от мрежата. Ако захранващия кабел е повреден, той трябва да бъде заменен със специално подготвен кабел от производителя или негов сервизен специалист, за да се избегнат възможните опасности от замяната.
- Винаги поддържайте стабилно положение на тялото си. Когато работите с електроинструмента на височина, убедете се, че под вас няма никой.
- Поддържайте чисто работното място.
- Електроинструментът трябва да се използва само по предназначение. Всякаква друга употреба, различаваща се от описаната в тази инструкция, ще се счита за неправилна употреба. Отговорността за всякаква повреда или нараняване, произтичащи от неправилна употреба, ще се носи от потребителя, а не от производителя.
- За да експлоатирате правилно този електроинструмент, трябва да съблюдавате правилата за безопасност, общите инструкции и указанията за работа, посочени тук. Всички потребители трябва да са запознати с тази инструкция за експлоатация и информирани за потенциалните рискове при работата с електроинструмента.
- Деца и физически слаби хора не трябва да използват електроинструмента. Децата трябва да бъдат под непрекъснато наблюдение ако се намират в близост до място, където се работи с електроинструмента. Задължително е да предприемете и превантивни мерки за безопасност. Същото се отнася и за спазването на основните правила за професионалното здраве и безопасност.
- Производителят не носи отговорност за извършени от потребителя промени върху електроинструмента или за повреди, предизвикани от подобни промени.
- Не използвайте машината, ако веригата и е увредена или силно износена.
- Спрете машината и изключете захранващия кабел от мрежата преди преместване на машината от едно място на друго, преди да приберете машината за съхранение, преди проверка или поддръжка на машината.
- При преместване или съхраняване на машината, поставете калъфа на веригата.
- Не използвайте машината при наличие на запалими газове или течности.
- При преместване на машината, носете я за предната ръкохватка, с насочена напред водеща шина.
- При преместване на машината никога не я носете за кабела.

ОПИСАНИЕ

- Запознайте се добре с възможностите на машината и нейното функциониране и никога не опитвайте операции, които биха довели до нейното претоварване.
- Проверете предварително дали в дървесината няма външни тела (клинове, гвоздеи, камъни и др.).
- Ако веригата и/или водещата шина блокират, спрете машината, изключете захранващия кабел от мрежата, използвайте неметален инструмент за да освободите веригата без да прилагате голяма сила.
- Препоръчва се начинаещият потребител да получи инструкции за работата с триона и средствата за безопасност от опитен квалифициран специалист и първоначално да се е упражнявал в рязане на дървени трупи върху стойка за рязане на дърва или магаре.
- Електроинструментът е предназначен за работа в помещения и зони с нормална пожарна опасност съгласно "НАРЕДБА № 13-1971 за строително-технически правила и норми за осигуряване на безопасност при пожар". Не се допуска използването му във взривоопасна и пожароопасна среда, при температура на околния въздух над 40°C, в особено влажна среда, при наличие на валежи и в химически активна среда. Работното място трябва да е добре осветено.

ОПИСАНИЕ

1. Място за хващане
2. Предпазен капак
3. Предпазител на веригата
4. Ограничител
5. Блокиращ лост
6. Режеща верига
7. Направляваща шина
8. Верижно зъбно колело
9. Гайка
10. Капак на верижното зъбно колело
11. Капачка на масления резервоар
12. Бутон
13. Лост за ръчно включване/изключване
14. Дръжка за управление
15. Приемно гнездо за акумулаторната батерия
16. Акумулаторна батерия
17. Зарядно устройство



Носете защита за ушите.



Носете предпазни очила



Носете защитни ръкавици



Носете маска

СГЛОБЕТЕ ВЕРИЖЕН ТРИОН

Поставяне и изваждане на батерия (фигура 2)

За да извадите батерията: натиснете бутона за освобождаване на батерията в указаната посока (А) и я издърпайте навън от корпуса на електроинструмента. (В)

За да поставите батерията: Поставете батерията в основата на електроинструмента и я плъзнете докато се чуе характерно прищракване. (С)

Зареждане на батерията (фигура 3)

Светлина	Състояние
Червено изключено, зелено свети	Включен / Напълно зареден
Червено свети, зелено изключено	Зареждането е в ход
Червено изключено, зелено мига	Батерията е прегряла
Червено мига, зелено изключено	Батерията е дефектна

Монтиране и демониране на направляваща шина и верига (фигура 4)

Верижният трион се доставя сглобен и не изисква сглобяване.

Ако е необходимо обслужване или подмяна на шината/веригата, следвайте инструкциите.

Демонтиране на направляващата шина и режещата верига

1. Изключете триона и извадете батерията.
2. Завъртете гайката (9) обратно на часовниковата стрелка и я отстранете.
3. Свалете капака (10).
4. Отстранете шината и веригата.

Монтиране на направляващата шина и режеща верига

1. Изключете триона и извадете батерията.
2. Завъртете гайката (9) обратно на часовниковата стрелка и я отстранете.
3. Свалете капака (10).
4. Монтирайте шангата с шлицы върху щифта на оста
5. Монтирайте веригата в жлеба на шината, така че да се зацепи сигурно със задвижващото зъбно колело (3). Посоката на стрелките на веригата трябва да съвпада с посоката на тялото на триона.
6. Монтирайте капака (10) наравно с тялото на триона.
7. Затегнете гайката (8) без да използвате гаечен ключ.
8. Хванете веригата с два пръста в средата на шината и издърпайте, докато има максимално разстояние. Правилното напрежение на гумата съответства на празнина от 1-2 mm. Ако празнината е извън тези граници, регулирайте, като завъртите винта на обтегача (между гумата и зъбчатия ограничител).
9. Затегнете гайката (8) с гаечен ключ.

СГЛОБЕТЕ ВЕРИЖЕН ТРИОН РАБОТА

Наливане на адхезионно масло за режеща верига

Адхезионното масло смазва и охлажда движещата се режеща верига.

1. Изключете моторния трион и извадете акумулаторната батерия.
2. Поставете моторния трион върху равна повърхност така, че капачката на масления резервоар да сочи нагоре.
3. Почистете участъка около капачката на масления резервоар с влажна кърпа.
4. С подходящ инструмент въртете капачката на масления резервоар дотогава обротно на часовниковата стрелка, докато капачката на масления резервоар може да се свали.
5. Свалете капачката на масления резервоар.
6. Налейте адхезионно масло за режеща верига по такъв начин, че да не се разлее и не пълнете масления резервоар до ръба.
7. Поставете капачката на масления резервоар върху масления резервоар.
8. С подходящ инструмент завъртете капачката на масления резервоар по посока на часовниковата стрелка и я затегнете. Масленият резервоар е затворен.

РАБОТА

ВКЛЮЧВАНЕ - ИЗКЛЮЧВАНЕ

- Включете машината, като натиснете бутон 12.
- Дръжте триона здраво с една ръка върху зоната за захващане на контролната дръжка (14) – увийте палеца си около контролната дръжка.
- Дръжте и контролирайте инструмента с другата си ръка върху повърхността на захващането (1).
- Натиснете лоста за блокиране (5) с палеца си и го задръжте там.
- Издърпайте спусъка (13) с показалеца си и го задръжте там.
- Моторът ускорява и веригата се върти.

Рязане

- **ВНИМАНИЕ!** При ритане назад трионът може да бъде хвърлен към потребителя. Това е изпълнено със сериозни наранявания.
- Пускайте на пълна газ.
- Не режете с горната четвърт на върха на водещата шина.
- Вкарайте водещата шина при пълна газ в среза, така че шината да не се изкриви.
- Инсталирайте ограничителя с шипове и го използвайте като точка на въртене.
- Пъхнете докрай шината в дървото, така че ограничителят с шипове да е фиксиран постоянно.
- В края на рязането поемете тежестта на триона.

РАБОТА ПОДДРЪЖКА

Подрязване

- Трион да се облегне на багажника.
- Натиснете водещата щанга при пълна газ към клона като лост.
- Отрежете клона с горната страна на шината.
- Ако клонът е под напрежение: направете отпускащ разрез от страната на силите на натиск и след това направете разрез от страната на силите на опън.

След работа

- Изключете триона, включете спирачката на веригата и извадете акумулатора.
- Ако трионът е влажен, трябва да се изсуши.
- Ако батерията е мокра, трябва да се изсуши.
- Почистете триона и батерията.
- Почистете водещата шина и веригата.
- Разхлабете напрежението на веригата.
- Поставете защитно покритие върху водещата шина, така че да покрие цялата шина.

ПОДДРЪЖКА

ПРЕДУПРЕЖДЕНИЕ: Винаги изключвайте и изключвайте електрическия инструмент преди всяка проверка или поддръжка. За да осигурите дълъг живот на продукта и безопасна работа, изпълнявайте редовно описаните по-долу процедури за поддръжка.

ПРЕДУПРЕЖДЕНИЕ: Винаги носете защитни ръкавици, когато боравите с направляващата шина и веригата.

Редовно проверявайте за очевидни дефекти като разхлабени, разтегнати или повредени верига и направляваща шина, разхлабени закрепвания и износени или повредени компоненти. Проверете дали капациите и предпазните устройства са неповредени и правилно монтирани. Извършете необходимата поддръжка, преди да използвате верижния трион. Ако верижният трион е повреден, ремонтът трябва да се извърши в оторизиран сервизен център.

ЗАБЕЛЕЖКА: Преди да върнете верижния трион в оторизиран сервизен център, уверете се, че резервоарът за масло е изпразнен напълно.

СМЯНА НА ВОДЕЩАТА ЛЕЧА И ВЕРИГАТА

Поставете веригата и направляващата шина, както е описано по-горе. Жлебът на направляващата шина се износва с времето.

Страната на шината, която контактува с машината, трябва периодично да се обръща, за да се осигури равномерно износване. Проверете задвижващото зъбно колело. Ако е износен или повреден поради напрежение, сменете го в оторизиран сервизен център. Ако веригата е износена или повредена, подменете го в оторизиран сервиз.

ПОДДРЪЖКА НА ШИНА

Повечето проблеми с направляващата шина могат да бъдат предотвратени само чрез поддържане на верижния трион добре поддържан. Неправилното пилене и неравномерните настройки на ножа и дълбочината причиняват повечето проблеми с направляващата шина, което води главно до неравномерно износване на шината. Тъй като шината се износва неравномерно, релсите се разширяват, което може да причини тракане на веригата и трудности при правите разрези. Недостатъчното смазване на направляващата шина и работата с триона с тази твърде стегната верига ще допринесе за бързото износване на шината. За да се сведе до минимум износването на шината, се препоръчва следната поддръжка на направляващата шина.

ПОЧИСТВАНЕ НА ЖЛЕЗА НА НАПЪЛНИТЕЛНАТА ЛИНИЯ

Свалете страничния капак, шината и веригата. Използване на препарат за почистване на канали (не е включен в комплекта) или а отвертка, нож за шпакловка, телена четка или други подобни инструменти, почистете остатъците от жлеба на шината. Това ще запази маслените канали отворени и ще осигури правилно смазване на шината и верига. Поставете обратно шината, капака на зъбното колело на веригата (регулируйте напрежението) и копчето за заключване.

ПОДДРЪЖКА НА ВЕРИГАТА

ПРЕДУПРЕЖДЕНИЕ: Освен ако нямате опит и специализирано обучение за справяне с откат, винаги използвайте верига за трион с нисък откат, което значително намалява опасността от откат. Веригите за триони с нисък откат не премахват напълно обратния откат. Нисък откат или „безопасност“ вериги, никога не трябва да се разглежда като пълна защита срещу нараняване. Винаги сменяйте износената верига с нова верига с нисък откат.

СЪХРАНЕНИЕ

Почиствайте машината с мека четка или суха кърпа, без да използвате разтворител. Съхранявайте на сигурно и сухо място, недостъпно за деца. Когато съхранявате машината за продължително време, свалете направляващата шина и веригата и ги съхранявайте добре смазани.

ПОЧИСТВАНЕ

За безопасна работа поддържайте винаги чисти машината и вентилационните отвори. Редовно проверявайте дали във вентилационната решетка близо до електродвигателя или около превключ вателите не е проникнал прах или чужди тела. Използвайте мека четка за да отстраните събралия се прах. За да предпазите очите си, по време на почистването носете защитни очила.

Ако корпусът на машината се нуждае от почистване, избършете го с мека влажна кърпа. Може да се използва слаб препарат за миене.

ПОДДРЪЖКА ТЕХНИЧЕСКИ ДАННИ

ПРЕДУПРЕЖДЕНИЕ!

Не се допуска употребата на спирт, бензин или други разтворители. Никога не използвайте разяждащи препарати за почистване на пластмасовите части. Не се допуска влизането на вода в контакт с машината.

РЕЗЕРВНИ ЧАСТИ

За да се осигури безопасната работа с електроинструмента и неговата надеждност, всички дейности по ремонта, поддръжката и регулирането (включително проверката и подмяната на четките) трябва да се извършват в оторизираните сервиси с използване само на оригинални резервни части.

ТЕХНИЧЕСКИ ДАННИ

Модел	SCB200-20, SCB200-20 Kit
Номинално напрежени	20 V
Номинално напрежение зарядно устройство	220-240V~
Обороти на празен ход	4600 RPM
Скорост при рязане	12 m/s
Дължина на шината	200 mm (8")
Стъпка на веригата	1/4"
Брой звена	48
Дебелина на задвижващото звено /широчина на канала	1.1 mm
Батерия	Li-Ion, 4 Ah
Време за зареждане	120 min
Тегло	2.1 kg
A-претеглено ниво на звуково налягане LpA	< 70 dB(A)
A-претеглено ниво на звукова мощност LwA	< 80 dB(A)
Стойност на излъчените вибрации ah	< 2.5 m/s ²
Окомплектовка	акумулаторен трион, зарядно устройство, батерия (1 бр.), шина, верига, ножница, ръководство за употреба

Производителят си запазва правото да въвежда подобрения и промени в своите изделия и да променя спецификациите без предупреждение.

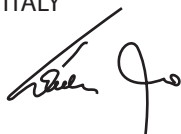
ДЕКЛАРАЦИЯ ЗА СЪОТВЕТСТВИЕ

ДЕКЛАРАЦИЯ ЗА СЪОТВЕТСТВИЕ

Декларираме на своя лична отговорност, че електроинструмент(и) **SCB200-20 , SCB200-20 Kit** съгласно даденото техническо описание отговаря на всички приложими изисквания на следните директиви: **2014/30/EU, 2006/42/EC**.

Хармонизирани стандарти: **EN55014-1:2017+A11:2020, EN55014-2:2015, EN IEC 61000-3-2:2019, EN61000-3-3:2013, EN62841-1:2015, EN62841-4-1:2020, EN ISO 12100:2010.**

Техническа документация: STATUS ITALIA S.R.L., via Aldo Moro, 14/A, 36060 - Pianezze (VI), ITALY



Caron Giacinto
Director
STATUS Italia S.r.l.

01.12.2022
STATUS ITALIA S.R.L., ул. „Алдо Моро“ 14/A –
36060 Пианезе (Виченца), Италия.

Дистрибутор на територията на България:

Спринтер ООД.

Адрес по регистрация: България, гр. София 1000, бул. Христо Ботев 28, ет. 7.

Адрес за кореспонденция: България, гр. София 1303,

бул. Тодор Александров №28, магазин №4.

Уебсайт: www.status-tools.com, E-mail: office@status-tools.eu. Тел. 02 870 51 98

ПРЕДНАЗНАЧЕНИЕ ИЗДЕЛИЯ ОСНОВНЫЕ ТРЕБОВАНИЯ БЕЗОПАСНОСТИ

ПРЕДНАЗНАЧЕНИЕ ИЗДЕЛИЯ

Пила предназначена для обрезки сучьев и ухода за садовыми деревьями. Инструмент не предназначен для валки деревьев.

ОСНОВНЫЕ ТРЕБОВАНИЯ БЕЗОПАСНОСТИ

РАБОЧЕЕ МЕСТО

- Содержите рабочее место чистым и свободным от посторонних предметов.
- Рабочее место должно быть хорошо освещено во избежание несчастных случаев.
- Не используйте изделие для работы во взрывоопасной атмосфере и вблизи от легковоспламеняющихся жидкостей. *Электродвигатель изделия при работе искрит и это может стать причиной пожара.*
- Во время работы не допускайте посторонних и детей к рабочему месту.

ЭЛЕКТРОБЕЗОПАСНОСТЬ

- Сетевая розетка должна соответствовать штепсельной вилке, установленной на сетевом кабеле изделия. Запрещается внесение изменений в конструкцию вилки и использование любых переходников.
- Во время работы избегайте контакта с заземленными предметами: водопроводными трубами, радиаторами отопления и т.д. *При контакте с заземленными предметами значительно возрастает риск поражения электрическим током.*
- Предохраняйте изделие от воздействия воды и повышенной влажности. *Попадание воды внутрь изделия может привести к поражению электрическим током.*
- Берегите сетевой кабель изделия. Не используйте кабель для переноски изделия, не тяните за кабель чтобы выключить изделие. Располагайте кабель во время работы вдали от источников тепла, подвижных частей изделия и предметов с острыми краями. *Поврежденный кабель может стать причиной поражения электрическим током.*
- При работе изделием вне помещения применяйте удлинитель, специально предназначенный для эксплуатации на открытом воздухе. *Использование специального удлинителя значительно снижает риск поражения электрическим током.*
- Параметры сети для подключения изделия должны соответствовать параметрам указанным на маркировочной табличке изделия. (220-240 В~, 50 Гц)

ЛИЧНАЯ БЕЗОПАСНОСТЬ

- Не работайте изделием в состоянии алкогольного или наркотического опьянения, под воздействием лекарств и в болезненном состоянии. *Кратковременная потеря контроля над изделием во время работы может стать причиной серьезной травмы.*

ОСНОВНЫЕ ТРЕБОВАНИЯ БЕЗОПАСНОСТИ

- Всегда применяйте средства индивидуальной защиты и защитные очки. К средствам индивидуальной защиты относятся: респиратор, нескользящая обувь и шумозащитные наушники. *Применение средств защиты сделает работу более комфортной и безопасной.*
- Внимательно следите за тем, чтобы при включении изделия в сеть, клавиша выключателя не была зафиксирована во включенном положении. *Это поможет избежать случайного включения изделия.*
- Следите за тем, чтобы перед включением изделия из него были удалены регулировочные инструменты, отвертки и т.п. *Попадание инструмента в подвижные части изделия при включении может стать причиной травмы и привести к выходу изделия из строя.*
- При работе занимайте устойчивое положение. Всегда стойте на устойчивой опоре. *Потеря равновесия во время работы может стать причиной серьезной травмы.*
- Не одевайте для работы излишне свободную одежду. Перед началом работы снимите ювелирные украшения. Если у Вас длинные волосы, спрячьте их под головной убор. *Попадание краев одежды, ювелирных изделий и волос в движущиеся части изделия может привести к травме.*
- Если в изделии предусмотрено подключение пылесоса обязательно подключите его перед работой. *Эффективное удаление пыли из рабочей зоны сделает работу более удобной и сохранит Ваше здоровье.*

БЕЗОПАСНОЕ ИСПОЛЬЗОВАНИЕ И ХРАНЕНИЕ ИЗДЕЛИЯ

- Не перегружайте изделие. Для каждого вида работ используйте только тот тип инструмента или оснастки, который для этого предназначен.
- Не используйте изделие с неисправным выключателем. *Если выключатель работает нечетко и включение/выключение изделия затруднено, выключатель подлежит немедленной замене.*
- Всегда отключайте изделие от сети перед тем как отрегулировать изделие или поменять оснастку. *Это поможет избежать случайного включения изделия во время работ по его обслуживанию.*
- Храните изделие в месте, недоступном детям и лицам не имеющим навыков работы с изделием. *Лицо, ранее не работавшее таким типом инструмента обязано перед началом работы внимательно прочитать эту инструкцию полностью.*
- Перед началом работы внимательно проверяйте состояние изделия: легкость перемещения подвижных частей, отсутствие повреждений корпусных деталей и оснастки. *Любая поврежденная часть изделия или оснастки должна быть заменена перед началом работы.*
- Содержите режущую оснастку в чистом виде, хорошо заточенной и смазанной.
- Используйте инструмент и оснастку только для производства тех видов работ, которые предусмотрены в инструкции по эксплуатации данного изделия. *Использование изделия не по прямому назначению может привести к его поломке и травмам.*

ДОПОЛНИТЕЛЬНЫЕ ТРЕБОВАНИЯ БЕЗОПАСНОСТИ ПРИ РАБОТЕ С ЦЕПНОЙ МИНИ ПИЛОЙ

СЕРВИСНОЕ ОБСЛУЖИВАНИЕ

- Ремонт изделия должен осуществляться в авторизованном сервисном центре, квалифицированным персоналом и с использованием только оригинальных запасных частей. Использование при ремонте запасных частей не сертифицированных производителем данного изделия может привести к выходу изделия из строя и нарушению норм электробезопасности изделия.

ПРИМЕНЕНИЕ И ОБСЛУЖИВАНИЕ АККУМУЛЯТОРНОГО ИНСТРУМЕНТА

- Заряжайте аккумуляторы только в зарядных устройствах, рекомендуемых изготовителем. Зарядное устройство, предусмотренное для определенного вида аккумуляторов, может привести к пожарной опасности при использовании его с другими аккумуляторами.
- Применяйте в электроинструментах только предусмотренные для этого аккумуляторы. Использование других аккумуляторов может привести к травмам и пожарной опасности.
- Защищайте неиспользуемый аккумулятор от канцелярских скрепок, монет, ключей, гвоздей, винтов и других маленьких металлических предметов, которые могут замкнуть полюса. Короткое замыкание полюсов аккумулятора может привести к ожогу или пожару.
- При неправильном использовании из аккумулятора может потечь жидкость. Избегайте соприкосновения с ней. При случайном контакте промойте соответствующее место водой. Если эта жидкость попадет в глаза, то дополнительно обратитесь за помощью к врачу. Вытекающая аккумуляторная жидкость может привести к раздражению кожи или к ожогам.

ДОПОЛНИТЕЛЬНЫЕ ТРЕБОВАНИЯ БЕЗОПАСНОСТИ

- Держите все части тела вдали от работающей пилы. Убедитесь перед началом работы, что режущая цепь ни с чем не соприкасается. При работе с цепной пилой момент невнимания может привести к тому, что одежда или часть Вашего тела попадет под режущую цепь.
- Всегда держите правую руку на задней рукоятке, а левую руку на передней рукоятке цепной пилы. Если Вы поменяете положение рук, то увеличится риск возникновения травм, поэтому этого не следует делать никогда.
- Держите электроинструмент только за изолированные поверхности для захвата, поскольку режущая цепь может соприкоснуться со скрытой электросистемой или с собственным шнуром. Соприкосновение режущей цепи с проводником, находящимся под напряжением, поставит открытые металлические части электроинструмента под напряжение и оператор получит токовый удар.
- Носите защитные очки и средства для защиты слуха. Рекомендуются дополнительные защитные средства для головы, рук, ног и ступней. Подходящая защитная одежда снижает опасность получения травм от отлетающих щепок и случайного соприкосновения с режущей цепью.

ДОПОЛНИТЕЛЬНЫЕ ТРЕБОВАНИЯ БЕЗОПАСНОСТИ ПРИ РАБОТЕ С ЦЕПНОЙ МИНИ ПИЛОЙ

- Не работайте с цепной пилой стоя верхом на дереве. При работе с цепной пилой, находясь на дереве существует опасность получения травм оператором.
- Всегда поддерживайте правильную осанку и работайте с цепной пилой только, когда стоите на неподвижной, безопасной и ровной поверхности. Скользкие или нестабильные поверхности, например, стремянки, могут привести к потере равновесия или потере контроля цепной пилы.
- При резке ветки, которая подвержена внешней нагрузке, берегитесь пружинного удара. Когда освободится напряжение древесных волокон, ветки отскакивают и могут ударить оператора и/или цепную пилу, что может вызвать потерю контроля.
- Будьте особенно осторожны при резке кустов и саженцев. Ветки могут запутаться в режущей цепи и ударить вас или нарушить ваше равновесие.
- Переносите цепную пилу за переднюю рукоятку при выключенном выключателе и вдали от своего тела. При транспортировке или хранении цепной пилы всегда покрывайте защитным чехлом ведущую шину. Правильное обращение с цепной пилой уменьшает вероятность случайного соприкосновения и получения травм по невниманию от движущей режущей цепи.
- Следуйте инструкциям по смазке, натяжению цепи и смена принадлежностей. Неправильно натянутая или смазанная цепь может порваться или увеличить риск обратного удара (отскока).
- Поддерживайте рукоятки сухими, чистыми, обезжиренными и без консистентной смазки. Загрязненные маслом или консистентной смазкой рукоятки скользят и приводят к потере контроля.
- Используйте пилу только для резки древесины. Не используйте цепную пилу для работы, для которой она не предназначена. Например, не используйте цепную пилу для резки пластмассы, кладки или строительных материалов, различных от древесины. Использование цепной пилы для нерегламентированной работы может стать причиной возникновения опасных ситуаций.

Причины и предотвращение обратного удара (отскока):

Обратный удар может произойти, если верхушка ведущей шины соприкоснется с объектом или когда разрез в дереве закроется и режущая цепь заклинится в нем. Лобовое соприкосновение с верхней частью шины может вызвать молниеносный обратный удар, при котором шина отскакивает вверх и назад к оператору. Заклинивание цепи в верхней части шины может резко вытолкнуть шину к оператору. Любой из этих обратных ударов может вызвать потерю контроля над пилой и стать причиной серьезного несчастного случая. Не рассчитывайте только на встроенные в цепную пилу устройства безопасности. В качестве операторов цепной пилы вам следует принять меры для уменьшения опасности возникновения несчастных случаев во время работы. Обратный удар является следствием ошибочных и/или неправильных методов работы с электроинструментом. Он может быть предотвращен принятием подходящих мер, описанных ниже:

ДОПОЛНИТЕЛЬНЫЕ ТРЕБОВАНИЯ БЕЗОПАСНОСТИ ПРИ РАБОТЕ С ЦЕПНОЙ МИНИ ПИЛОЙ

- Держите пилу крепко обеими руками, так, чтобы большой палец и другие пальцы охватывали рукоятки цепной пилы. Ваше тело и плечи должны находиться в положении, в котором вы можете устоять обратному удару. В случае принятия подходящих мер, потребность может овладеть обратным ударом. Никогда не допускайте падения пилы.
- Не работайте вытянутыми руками и не режьте выше уровня плеч. Это способствует избеганию невольного соприкосновения с верхней частью шины и позволяет осуществлять лучший контроль цепной пилы в непредвиденных ситуациях.
- Используйте только рекомендуемые производителем шины и цепи для замены. Неправильная замена шин и режущих цепей может привести к разрыву цепи и/или обратному удару.
- Следуйте инструкциям производителя по заточке и техническому обслуживанию режущей цепи. Уменьшение высоты калибра глубины может усилить обратный удар.
- ПРЕДУПРЕЖДЕНИЕ: Перед включением электроинструмента в сеть питания, убедитесь, что напряжение в сети питания соответствует напряжению, указанному на табличке с техническими данными электроинструмента.
- Источник питания с напряжением выше указанного на электроинструменте, может вызвать как серьезное поражение электрическим током оператора, так и повреждение электроинструмента.
- В случае сомнений, не вставляйте штепсель электроинструмента в розетку.
- Использование источника питания с напряжением ниже обозначенного на табличке электроинструмента, повредит электродвигатель.
- Для предотвращения возможного перегрева всегда полностью разматывайте удлинительный кабель с барабана.
- В случае необходимости использования удлинителя, убедитесь, что его сечение соответствует номинальному току используемого электроинструмента, а также и в исправности удлинителя.
- ПРЕДУПРЕЖДЕНИЕ: Всегда выключайте электроинструмент и удаляйте штепсель из розетки перед выполнением любой настройки, ухода или технического обслуживания.
- Во время работы всегда держите инструмент крепко обеими руками и поддерживайте стабильное положение тела. Электроинструмент направляется более безопасно, если его держать обеими руками.
- Держите кабель вне рабочего диапазона инструмента. Не допускайте попадания кабеля или удлинителя в масло, соприкосновения с режущими предметами или источником тепла;
- Не используйте электроинструмент с поврежденным кабелем. Не прикасайтесь к поврежденному кабелю и удалите штепсель из розетки, если кабель будет поврежден во время работы. Поврежденные кабели повышают риск токового удара.

ДОПОЛНИТЕЛЬНЫЕ ТРЕБОВАНИЯ БЕЗОПАСНОСТИ ПРИ РАБОТЕ С ЦЕПНОЙ МИНИ ПИЛОЙ

- Регулярно проверяйте состояние кабеля и его удлинителя. При наличии повреждений незамедлительно отключите кабель питания от сети. Если кабель питания поврежден, он подлежит замене специально подготовленным кабелем или узлом. Замена должна быть выполнена производителем или его или его сервисным специалистом, чтобы избежать возможной опасности замены.
- Всегда поддерживайте стабильное положение своего тела. Когда работаете с электроинструментом на высоте, убедитесь, что под вами никого нет.
- Поддерживайте чистоту на рабочем месте.
- Электроинструмент следует использовать только по назначению. Любое другое использование, кроме описанного в настоящей инструкции, будет считаться неправильным использованием. Ответственность за любое повреждение или травму, возникающие в результате неправильного использования, будет нести потребитель, а не производитель.
- Для того, чтобы правильно эксплуатировать этот электроинструмент, необходимо соблюдать правила безопасности, общие инструкции и указания по работе, содержащиеся в данной инструкции. Все пользователи должны быть ознакомлены с настоящей инструкцией по эксплуатации и информированы о потенциальных рисках при работе с электроинструментом.
- Дети и физически слабые лица не должны использовать электроинструмент. Дети должны находиться под постоянным наблюдением, если они находятся вблизи места, где работают с электроинструментом. Обязательно следует принимать и превентивные меры безопасности. То же самое касается и соблюдения основных правил охраны профессионального здоровья и безопасности.
- Производитель не несет ответственности за внесенные пользователем изменения в электроинструмент или за повреждения, вызванные подобными изменениями.
- Не используйте электроинструмент, если его цепь повреждена или сильно изношена.
- Остановить электроинструмент и отключите кабель питания от электросети перед перемещением электроинструмента с одного места в другое, перед тем, как убрать электроинструмент на хранение, перед проверкой или техническим обслуживанием электроинструмента.
- При перемещении или хранении электроинструмента, покройте цепь чехлом.
- Не используйте электроинструмент при наличии горючих газов или жидкостей.
- При перемещении электроинструмента держите его за переднюю рукоятку, с направленной вперед ведущей шиной.
- При перемещении электроинструмента никогда не носите его за кабель.
- Внимательно ознакомьтесь с возможностями электроинструмента и его функционированием и никогда не пытайтесь выполнить операции, которые способны довести до его перегрузки.
- Проверьте заранее, не имеется ли в древесине посторонних предметов (клинья, гвозди, камни и др.).

ОПИСАНИЕ

- Если цепь и/или ведущая шина блокируют, остановите электроинструмент, отключите кабель питания от электросети, используйте неметаллический инструмент, чтобы освободить цепь, без применения большого усилия.
- Начинающему пользователю рекомендуется получить инструкции по работе с пилой и о средствах безопасности от опытного квалифицированного специалиста и в начале поупражняться на резке деревянных бревен на подставке для резки древесины или на козлах.
- Электроинструмент не следует использовать под открытым небом в дождливую погоду, во влажной среде (после дождя) или вблизи легко воспламеняющихся жидкостей и газов. Рабочее место должно быть хорошо освещено.

ОПИСАНИЕ

- | | |
|-------------------|----------------------------|
| 1. Место захвата | 10. Крышка |
| 2. Защитный кожух | 11. Крышка масляного бака |
| 3. Чехол защитный | 12. Кнопка |
| 4. Ограничитель | 13. Выключатель |
| 5. Предохранитель | 14. Рукоятка |
| 6. Цепь | 15. Отсек для аккумулятора |
| 7. Шина | 16. Аккумулятор |
| 8. Привод | 17. Зарядное устройство |
| 9. Гайка | |



Надевайте наушники!



Надевайте перчатки!



Надевайте очки!



Надевайте респиратор!

СБОРКА И РЕГУЛИРОВКА

Монтаж и демонтаж батареи (Рис.2)

Демонтаж батареи: Нажмите на кнопку освобождения батареи в указанном направлении (А), и выньте батарею из корпуса электроинструмента (В).

Монтаж батареи: Вставьте батарею в основу электроинструмента, продвинув ее до характерного щелчка (С).

Зарядка аккумулятора (Рис. 3)

Индикация	Значение
Красный не горит, зеленый горит	Готов к работе / Полностью заряжен
Красный горит, зеленый не горит	Идёт процесс зарядки
Красный не горит, зеленый мерцает	Аккумулятор перегрет
Красный мерцает, зеленый не горит	Аккумулятор поврежден

Монтаж/демонтаж шины и цепи (Рис.4)

Цепная пила поставляется в собранном виде и не нуждается в сборке.

При необходимости обслуживания или замены шины/цепи следуйте инструкциям.

Демонтаж шины и цепи

1. Выключите пилу и снимите аккумулятор.
2. Вращайте гайку (9) против часовой стрелки и извлеките ее.
3. Снимите крышку (10).
4. Снимите шину и цепь.

Монтаж шины и цепи

1. Выключите пилу и снимите аккумулятор.
2. Вращайте гайку (9) против часовой стрелки и извлеките ее.
3. Снимите крышку (10).
4. Установите шину прорезью на осевой штырь
5. Установите цепь в паз шины таким образом, чтобы она вошла в надежное зацепление с ведущей звездочкой (3). Направление стрелок на цепи должно совпадать с руководством на корпусе пилы.
6. Установите крышку (10) заподлицо с корпусом пилы.
7. Закрутите гайку (8) без применения ключа.
8. Возьмите цепь двумя пальцами в области середины шины и потяните до появления максимального зазора. Правильное натяжение шины соответствует зазору в 1-2 мм. Если зазор вне этих пределов, то произведите настройку вращением винта натяжителя (между шиной и зубчатым упором).
9. Закрутите гайку (8) с применением ключа.

Заправка масла для цепи

Масло для цепной пилы смазывает и охлаждает скользящую цепь.

Не допускайте работу с уровнем масла ниже уровня MIN на масляном бачке.

- Выключите пилу и снимите аккумулятор.
- Установите пилу на ровную поверхность маслозаливной горловиной вверх.
- Если нужно, протрите крышку и область вокруг неё ветошью.

СБОРКА И РЕГУЛИРОВКА РАБОТА

- Вращайте крышку (11) против часовой стрелки и извлеките её.
- Залейте масло для пильной цепи в бачок. Старайтесь не пролить и не переполнить бачок.
- Установите крышку (11) и закрепите вращением по часовой стрелке до упора.

РАБОТА

ВКЛЮЧЕНИЕ - ВЫКЛЮЧЕНИЕ

- Включите машину, нажав кнопку 12.
- Крепко возьмите пилу одной рукой за рукоятку (14) и обхватите её большим пальцем.
- Удерживайте инструмент другой рукой за рукоятку (1).
- Нажмите на кнопку предохранителя (5) большим пальцем и удерживайте его в этом положении.
- Нажмите на клавишу выключателя (13) указательным пальцем и удерживайте его в этом положении.
- Двигатель запустится и цепь начнёт вращаться.

Пиление

- ПРЕДУПРЕЖДЕНИЕ! При отдаче пила может быть отброшена в сторону пользователя. Это чревато тяжелыми травмами.
- Работать при полном газе.
- Не пилить верхней четвертью вершины направляющей шины.
- Направляющую шину ввести при полном газе в разрез так, чтобы шина не перекосилась.
- Установить зубчатый упор и использовать его как точку поворота.
- Полностью ввести шину в древесину так, чтобы зубчатый упор был установлен постоянно.
- В конце реза принять на себя вес пилы.

Обрезка сучьев

- Пилу опереть на ствол.
- Направляющую шину при полном газе прижать к ветке как рычаг.
- Распилить ветку верхней стороной шины.
- Если ветка под напряжением: сделать послабляющий рез со стороны действия сил сжатия и затем сделать пропил со стороны действия сил растяжения.

После работы

- Выключить пилу, задействовать тормоз цепи и извлечь аккумулятор.
- Если пила влажная, ее необходимо просушить.
- Если аккумулятор влажный, его необходимо просушить.

РАБОТА ОБСЛУЖИВАНИЕ

- Очистить пилу и аккумулятор.
- Очистить направляющую шину и пильную цепь.
- Ослабить натяжение цепи.
- Надеть на направляющую шину защитный чехол так, чтобы она закрывала всю шину.

ОБСЛУЖИВАНИЕ

ВНИМАНИЕ: Всегда выключайте электроинструмент и отсоединяйте его от сети перед любым осмотром или техническим обслуживанием. Чтобы обеспечить долгий срок службы и безопасную работу продукта, регулярно выполняйте описанные ниже процедуры обслуживания.

ВНИМАНИЕ: Всегда надевайте защитные перчатки при работе с пильной шиной и цепью.

Регулярно проверяйте наличие очевидных дефектов, таких как ослабленная, растянутая или поврежденная цепь и направляющая шина, ослабленные крепления, а также изношенные или поврежденные компоненты. Убедитесь, что крышки и предохранительные устройства не повреждены и правильно установлены. Перед использованием цепной пилы произведите необходимое обслуживание. Если цепная пила неисправна, ремонт следует проводить в авторизованном сервисном центре.

ЗАМЕНА НАПРАВЛЯЮЩЕЙ ШИНЫ И ЦЕПИ

Установите цепь и направляющую шину, как описано выше. Канавка направляющей шины со временем изнашивается.

Сторона шины, контактирующая с машиной, должна периодически переворачиваться, чтобы обеспечить равномерный износ. Проверьте ведущую звездочку (8). Если он изношен или поврежден из-за деформации, замените его в авторизованном сервисном центре. Если цепь изношена или повреждена, замените его в авторизованном сервисном центре.

НАПРАВЛЯЮЩАЯ ПАНЕЛЬ ОБСЛУЖИВАНИЕ

Большинство проблем с направляющей шиной можно предотвратить, просто поддерживая цепную пилу в хорошем состоянии. Неправильная заточка и неравномерная настройка фрезы и ограничителя глубины вызывают большинство проблем с направляющей шиной, что в основном приводит к неравномерному износу шины. Поскольку шина изнашивается неравномерно, направляющие расширяются, что может вызвать стук цепи и затруднения при выполнении прямых резов. Недостаточная смазка направляющей шины и работа пилы с слишком натянутой цепью будут способствовать быстрому износу шины. Чтобы свести к минимуму износ шины, рекомендуется следующее обслуживание направляющей шины.

ЧИСТКА НАПРАВЛЯЮЩЕЙ КАНАВКИ

Снимите боковую крышку, шину и цепь. С помощью отвертки, шпателя, металлической щеткой или другими подобными инструментами удалите остатки из канавки шины. Установите на место пильную шину, крышку звездочки цепи и зафиксируйте гайкой

ОБСЛУЖИВАНИЕ ЦЕПИ

ПРЕДУПРЕЖДЕНИЕ: Если у вас нет опыта и специальной подготовки для работы с отдачей, всегда используйте пильную цепь с малой отдачей, что значительно снижает опасность отдачи. Пильные цепи с малой отдачей не исключают отдачу полностью. Низкая отдача или «безопасность» цепи, никогда не следует рассматривать как полную защиту от травм. Всегда заменяйте изношенную цепь новой цепью с низким уровнем отдачи.

МЕСТО ХРАНЕНИЯ

Очистите машину мягкой щеткой или сухой тканью без растворителя.

Хранить в надежном, сухом, недоступном для детей месте.

При длительном хранении машины снимите направляющую шину и цепь и храните их в хорошо смазанном виде.

ЧИСТКА

Регулярно проверяйте, не проникли ли в вентиляционные отверстия электродвигателя пыль или инородные тела. После каждого использования чистите изделие от пыли, стружки и опилок. Используйте мягкую щетку или струю сжатого воздуха, чтобы устранить накопившуюся пыль. Для чистки используйте влажную ткань с небольшим количеством мыла.

ВНИМАНИЕ!

Не используйте для чистки моющие средства или растворители - они могут вызвать повреждение пластмассовых деталей изделия. Проследите, чтобы вода не попала внутрь изделия.

ЗАМЕНА ЗАПАСНЫХ ЧАСТЕЙ

Использование при ремонте запасных частей других производителей может привести к выходу изделия из строя и серьезным травмам. Только оригинальные запасные части, установленные в авторизованном сервисном центре, гарантируют надежную и безопасную работу изделия.

ТЕХНИЧЕСКИЕ ХАРАКТЕРИСТИКИ

ТЕХНИЧЕСКИЕ ХАРАКТЕРИСТИКИ

Модель	SCB200-20, SCB200-20 Kit
Номинальное напряжение аккумулятора	20 В
номинальное напряжение зарядного у-во	220-240В~
Частота вращения на холостом ходу	4600 об./мин.
Максимальная скорость цепи	12 м/с
Длина шины	200 мм (8")
Шаг цепи	1/4"
Количество звеньев цепи	48
Толщина ведущего звена/Ширина паза	1,1 мм
Аккумулятор	литий-ионный, 4 Ач
Время зарядки	120 мин.
Масса	2,1 кг
A-взвешенный уровень звуковой нагрузки LpA	<70 дБ(A)
A- взвешенный уровень звуковой мощности LwA	<80 дБ(A)
Уровень вибраций по рукояткам a _h	<2,5 м/с ²
Комплектация	пила, зарядное у-во, аккумулятор (1 шт.), шина, цепь, защитный кожух, инструкция

Производитель оставляет за собой право изменять технические параметры изделия и его комплектацию без предварительного уведомления.

ДЕКЛАРАЦИИ СООТВЕТСТВИЯ

STATUS ITALIA S.R.L. заявляет, что изделие торговой марки STATUS мини пила **SCB200-20, SCB200-20 Kit** изготовлена в соответствии со следующими директивами ЕС: **2014/30/EU, 2006/42/EC.**

Также соответствует нижеперечисленным стандартам: **EN55014-1:2017+A11:2020, EN55014-2:2015, EN IEC 61000-3-2:2019, EN61000-3-3:2013, EN62841-1:2015, EN62841-4-1:2020, EN ISO 12100:2010.**

Техническа документация находится у производителя: STATUS ITALIA S.R.L., via Aldo Moro, 14/A, 36060 - Pianezze (VI), ITALY



Карон Джиасинто
Директор
STATUS Italia S.r.l.

Изделия соответствуют требованиям следующих технических регламентов Таможенного союза: ТР ТС 004/2011, ТР ТС 010/2011, ТР ТС 020/2011, ТР ЕАЭС 037/2016.

Сведения о сертификате находятся на сайте www.status-tools.com

Изготовитель: СТАТУС ИТАЛИЯ С.р.л., Виа Альдо Моро, 14/А, 36060 - Пьянецце, Италия.

Сделано в КНР. Заявитель: ООО «СТАТУС ТУЛС» 143085, Московская область, Одинцовский район, р/п Заречье, территория 12 месяцев ЖК, стр. 13.

