



STATUS®

EN

ANGLE GRINDER

Original instructions

DE

WINKELSCHLEIFER

Istruzioni originali

IT

SMERIGLIATRICE ANGOLARE

Originalbetriebsanleitung

BG

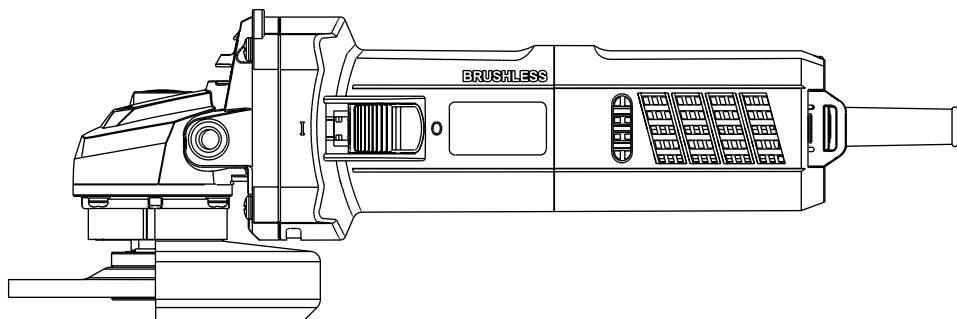
ЪГЛОШЛИФОВЪЧНА МАШИНА

Оригинална инструкция за използване

RU

УГЛОШЛИФОВАЛЬНАЯ МАШИНА

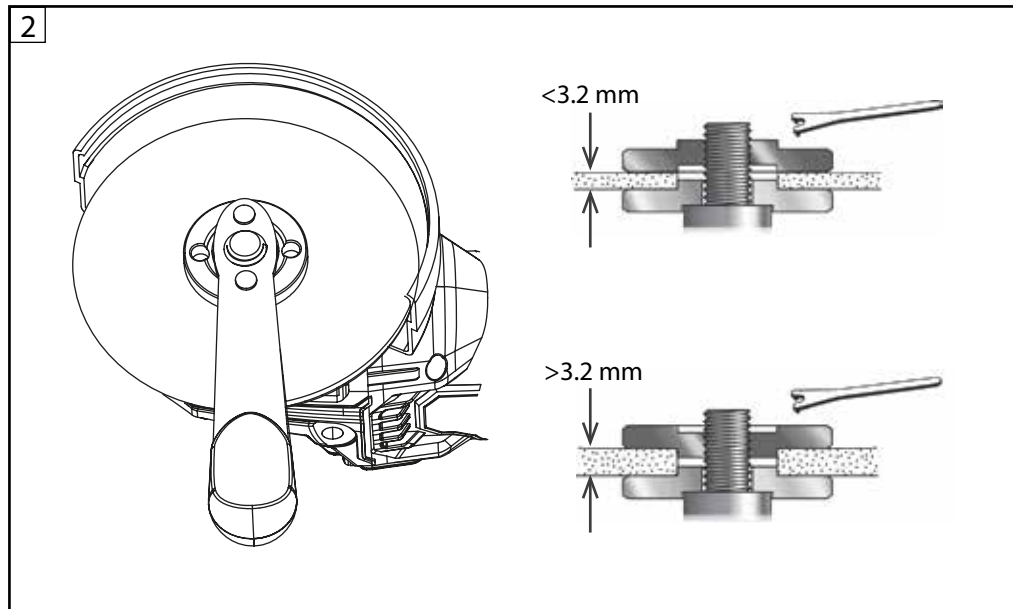
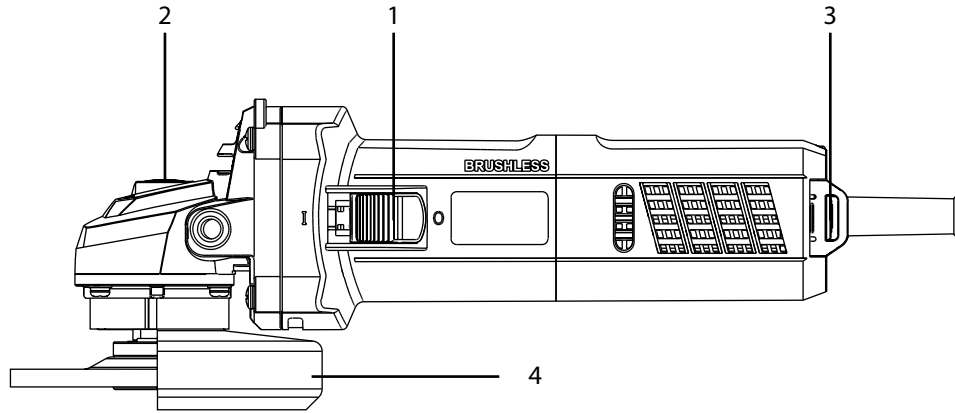
Оригинальная инструкция по эксплуатации



SA125BLE



PLEASE RECYCLE
WEEE (DO NOT BURN)


INTENDED USE

The appliance is intended for cutting, rough cutting and brushing metal or tiles without the use of water. Any other usage or modification of the appliance is deemed to be improper and carries a significant risk of accidents. The manufacturer accepts no responsibility for damage(s) resulting from improper usage. The appliance is not intended for commercial use.

GENERAL SAFETY RULES
WORK AREA

- **Keep work area clean and well lit.** *Cluttered and dark areas invite accidents.*
- **Do not operate power tools in explosive atmospheres, such as in the presence of flammable liquids, gases or dust.** *Power tools create sparks which may ignite the dust or fumes.*
- **Keep children and bystanders away while operating a power tool.** *Distractions can cause you to lose control.*

ELECTRICAL SAFETY

- **Power tool plugs must match the outlet. Never modify the plug in any way. Do not use any adapter plugs with earthed (grounded) power tools.** *Unmodified plugs and matching outlets will reduce risk of electric shock.*
- **Avoid body contact with earthed or grounded surfaces such as pipes, radiators, ranges and refrigerators.** *There is an increased risk of electric shock if your body is earthed or grounded.*
- **Do not expose power tools to rain or wet conditions.** *Water entering a power tool will increase the risk of electric shock.*
- **Do not abuse the cord. Never use the cord for carrying, pulling or unplugging the power tool. Keep cord away from heat, oil, sharp edges or moving parts.** *Damaged or entangled cords increase the risk of electric shock.*
- **When operating a power tool outdoors, use an extension cord suitable for outdoor use.** *Use of a cord suitable for outdoor use reduces the risk of electric shock.*
- **Connect the electric power tool to electricity, using a 16 A maximum secure contact protected outlet (220-240V~, 50 Hz).** *We recommend you to attach a residual current circuit-breaker (RCD) that does not exceed 30mA.*

PERSONAL SAFETY

- **Stay alert, watch what you are doing and use common sense when operating a power tool. Do not use a power tool while you are tired or under the influence of drugs, alcohol or medication.** *A moment of inattention while operating power tools may result in serious personal injury.*

GENERAL SAFETY RULES

- **Use safety equipment. Always wear eye protection.** *Safety equipment such as dust mask, non-skid safety shoes, hard hat, or hearing protection used for appropriate conditions will reduce personal injuries.*
- **Avoid accidental starting. Ensure the switch is in the off position before plugging in.** *Carrying power tools with your finger on the switch or plugging in power tools that have the switch on invites accidents.*
- **Remove any adjusting key or wrench before turning the power tool on.** *A wrench or a key left attached to a rotating part of the power tool may result in personal injury.*
- **Do not overreach. Keep proper footing and balance at all times.** *This enables better control of the power tool in unexpected situations.*
- **Dress properly. Do not wear loose clothing or jewellery. Keep your hair, clothing and gloves away from moving parts.** *Loose clothes, jewellery or long hair can be caught in moving parts.*
- **If devices are provided for the connection of dust extraction and collection facilities, ensure these are connected and properly used.** *Use of these devices can reduce dust related hazards.*

POWER TOOL USE AND CARE

- **Do not force the power tool. Use the correct power tool for your application.** *The correct power tool will do the job better and safer at the rate for which it was designed.*
- **Do not use the power tool if the switch does not turn it on and off.** *Any power tool that cannot be controlled with the switch is dangerous and must be repaired.*
- **Disconnect the plug from the power source before making any adjustments, changing accessories, or storing power tools.** *Such preventive safety measures reduce the risk of starting the power tool accidentally.*
- **Store idle power tools out of the reach of children and do not allow persons unfamiliar with the power tool or these instructions to operate the power tool.** *Power tools are dangerous in the hands of untrained users.*
- **Maintain power tools. Check for misalignment or binding of moving parts, breakage of parts and any other condition that may affect the power tools operation. If damaged, have the power tool repaired before use.** *Many accidents are caused by poorly maintained power tools.*
- **Keep cutting tools sharp and clean.** *Properly maintained cutting tools with sharp cutting edges are less likely to bind and are easier to control.*
- **Use the power tool, accessories and tool bits etc. in accordance with these instructions, taking into account the working conditions and the work to be performed.** *Use of the power tool for operations different from those intended could result in a hazardous situation.*

ADDITIONAL SAFETY RULES

SERVICE

Have your power tool serviced by a qualified repair person using only identical replacement parts. *This will ensure that the safety of the power tool is maintained.*

ADDITIONAL SAFETY RULES

Special safety instructions for grinding and abrasive cutting:

- a) This power tool is to be used as a grinder and abrasive cutting appliance. Please follow all safety instructions, instructions, diagrams and data that you receive with the appliance. If you do not observe the following instructions, this can lead to an electrical shock, fire and/or serious injuries.
- b) This power tool is not suitable for sandpaper sanding, working with a steel brush or burnishing. Using the power tool for applications for which it is not designed can lead to hazards and injuries.
- c) Do not use any accessories that have not been specifically provided or recommended by the manufacturer for this power tool. Just because you can attach the accessories to your power tool does not guarantee they are safe to use.
- d) The maximum speed of the accessory tool used must be at least as high as the maximum speed specified for the power tool. Accessories that rotate faster than the permissible rate can break and throw pieces into the air.
- e) The external diameter and thickness of the accessory tool used must comply with the dimensions of the power tool. Incorrectly dimensioned accessory tools cannot be sufficiently shielded or controlled.
- f) Attachment tools with a thread insert must match the thread of the grinding spindle exactly. For attachment tools that are mounted using a flange, the diameter of the hole on the attachment tool must correspond to the width of the fitment on the flange. Accessory tools that cannot be fitted precisely to the power tool rotate unevenly, vibrate severely and can lead to a loss of control.
- g) Never use damaged attachment parts. Check accessory tools such as grinding discs before each use for chips or cracks, grinding plates for cracks, wearing or excessive wear and tear and wire brushes for loose or broken wires. If the power tool or the accessory tool in use is dropped, check to see if it is damaged or use an undamaged accessory tool. When you have checked and inserted the accessory tool, ensure that you and any other people in the vicinity remain outside of the level of the rotating accessory tool and allow the tool to rotate at maximum speed for one minute. Damaged accessories usually break during the test period.
- h) Wear personal protective equipment. Depending on the application, ensure that you use full face protection, eye protection or goggles. Use a dust mask, hearing protection, protective gloves or special apron to protect yourself from grindings and material particles as required. Protect your eyes from flying debris that may be created during certain

ADDITIONAL SAFETY RULES

applications. Dust or filter masks must be used to filter any dust created by the application. If you are exposed to loud noise for any length of time, you can suffer a hearing loss.

- i) Ensure that other people remain at a safe distance to your workspace. Anyone who enters the workspace must wear personal protective equipment. Fragments of the workpiece or broken accessory tools can fly off and cause injury – even outside the immediate working area.
- j) Hold the power tool only by the insulated handles when you are carrying out work in which the accessory tool may come into contact with concealed power cables. Contact with a live wire may make exposed metal parts of the power tool live and could give the operator an electric shock.
- k) Keep the power cord away from any rotating accessories. If you lose control of the appliance, the cord may get caught or cut and your hand or arm could get caught in the rotating accessory tool.
- l) Never put the power tool down until the accessory tool being used has come to a complete standstill. The rotating accessory tool could come into contact with the surface and cause you to lose control of the power tool.
- m) Do not leave the power tool running whilst carrying it. Accidental contact between your clothing and the rotating accessory tool could lead to a physical injury.
- n) Clean the ventilation slits of your power tool regularly. The engine fan draws dust into the housing and a strong accumulation of metal dust can cause electrical hazards.
- o) Never use the power tool in the vicinity of inflammable materials. Sparks can ignite these materials.
- p) Do not use any accessory tools which require liquid coolant. The use of water or other liquid coolants may lead to an electric shock.

Special safety instructions for grinding and abrasive cutting

- a) Use only the grinding accessories approved for your power tool and the appropriate blade guard for these grinding tools. Grinding tools which are not designed for the power tool cannot be sufficiently shielded and are unsafe.
- b) Offset grinding discs must be fitted so that the grinding surface does not protrude over the level of the blade guard edge. An improperly fitted grinding disc which protrudes over the level of the blade guard edge cannot be properly guarded.
- c) The blade guard must be securely mounted on the power tool and adjusted to ensure maximum safety so that the smallest possible amount of the grinding tool is open to the operator. The blade guard is designed to protect the operator from fragments, accidental contact with the grinding tool and sparks that could ignite clothing.
- d) Grinding tools should only be used for the recommended applications.
For example: Never grind with the side surface of a cutting disc. Cutting discs are designed to remove material with the edge of the disc. Any lateral application of force on these grinding tools can lead to a breakage.

ADDITIONAL SAFETY RULES

- e) Always use an undamaged clamping flange of the correct size and shape for the selected grinding disc. Suitable flanges support the grinding disc and reduce the risk of disc breakage. Flanges for cutting discs can be different to flanges for other grinding discs.
- f) Do not use worn grinding discs from larger power tools. Grinding discs for larger power tools are not designed for the higher rotational speeds of smaller power tools and can break.

Additional special safety instructions for abrasive cutting

- a) Avoid any blockage to the cutting disc or high contact pressure. Do not make any excessively deep cuts. Overloading the cutting disc increases the stress and likelihood of canting or blocking and thus the possibility of a kickback or a breakage of the grinding tool.
- b) Avoid the area in front of and behind the rotating cutting disc. When you move the cutting disc away from yourself in the workpiece, it is possible, in the event of a kickback, that the electrical tool along with the rotating disc is thrown out directly towards you.
- b) If the cutting disc jams or you stop working, switch the tool off and hold it steadily in the workpiece until the disc has completely stopped turning. Never attempt to pull a rotating cutting disc out of a cut. This could lead to kickback. Identify and remove the cause of the jam.
- d) Do not switch the power tool back on while it is located in the workpiece. Allow the cutting disc to reach its full speed before you carefully continue the cut. Otherwise, the disc can jam, jump out of the workpiece or cause a kickback.
- e) Support boards or large workpieces to reduce the risk of the cutting disc jamming and causing a kickback. Large workpieces can bend under their own weight. The workpiece must be supported on both sides of the disc: both in the vicinity of the cutting disc and also at the edge.
- f) Be particularly careful when making pocket cuts into existing walls or other obscured areas. The inserted cutting disc may cut into gas or water pipes, electrical wiring or other objects that can cause kickback.

Kickback and corresponding safety instructions

Kickback is a sudden reaction caused when a rotating accessory tool, e.g. grinding disc, grinding plate, wire brush, etc., catches or jams. Catching or jamming leads to an abrupt stop of the rotating accessory tool. If this happens, an uncontrolled power tool turns rapidly against the direction of rotation of the accessory tool caught in the blockage. If, for example, a grinding disc catches or jams in a workpiece, the edge of the grinding disc projecting into the workpiece can get caught and break off the grinding disc or cause a kickback. The grinding disc can then fly in the direction of the operator or away from him, depending on the direction of rotation of the disc at the blockage. This can also break grinding discs.

KNOW YOUR PRODUCT

A kickback is caused by improper or incorrect use of the power tool. This can be avoided by taking proper precautions as given below.

- a) Hold the power tool firmly in both hands and position your body and arms so they can absorb the force of a kickback. Always use the additional handle, if available, so that you have the maximum possible control over the kickback force or reaction forces at full speed. By taking adequate precautions, the operator can stay in control of the kickback and reaction torques.
- b) Never hold your hand close to a rotating accessory tool. The accessory tool could hit your hand in the event of a kickback.
- c) Avoid having any part of your body in the region in which the power tool is likely to move in event of a kickback. The kickback will force the power tool in the opposite direction to the direction of rotation of the grinding disc at the blockage.
- d) Take special care when working near corners, sharp edges, etc. Avoid allowing the accessory tool to bounce back from the workpiece or jam. The rotating accessory tool is more likely to jam in corners or sharp edges or if it rebounds off them. This can cause a loss of control or kickback.

KNOW YOUR PRODUCT

- | | |
|---------------------------|---------------------------|
| 1. ON/OFF switch | 3. Speed adjusting button |
| 2. Spindle locking button | 4. Blade guard |

OPERATION

SWITCHING ON - SWITCHING OFF

- Switching on: Push the back end of the ON/OFF switch 1 down and then forward until its front end will sag, thus fixing itself.
- Switching off: Press the back, lifted end of switch 1 and release it to return in its initial position.

MOUNTING THE WHEEL GUARD

TO INSTALLATION GUARD:

Open guard release/lock latch, and position guard on spindle neck so that the two bumps on guard, line up with the two notches on the spindle neck. Rotate guard either direction to desired position, and close latch to secure guard in place.

TO REMOVE GUARD:

Open guard release/lock latch, rotate guard until the two bumps on guard line up with the two notches on the spindle neck, and lift guard off the spindle neck.

OPERATION

Fitting/changing the roughing/cutting disc (Fig. 2)

Always wear protective gloves when changing cutting/rough grinding discs.

Pay attention to the dimensions of the roughing/cutting disc. The diameter of the hole must fit the mounting flange without any play. Do not use a reducer or adapter.

- Use only discs which are free of dirt.
- Use only grinding discs whose permissible speed rating is at least as high as that on the type plate on the power tool.
- **RISK OF INJURY!** Press the spindle locking button only when the mounting spindle is at a complete standstill.
- Press the spindle locking button to lock the motor.
- Undo the clamping nut using the two-hole mounting spanner
- Place the rough grinding or cutting disc with the label side towards the appliance on the mounting flange .
- Then replace the clamping nut with the raised side facing up on the mounting spindle.

With thin grinding discs

- The collar of the clamping nut faces upwards so that a thin grinding disc can be fitted safely.
- Press the spindle locking button to lock the motor.
- Tighten the clamping nut using the two-hole mounting spanner .

With thick grinding discs

- The collar of the clamping nut faces downwards so that the grinding disk can be fitted securely onto the mounting spindle .
- Lock the mounting spindle .
- Tighten the clamping nut in a clockwise direction using the two-hole mounting spanner .
- For safety's sake, run the appliance at maximum speed for 60 seconds after every disc change. Be aware of unusual noises and sparks.
- Check whether all the fastening elements are correctly fitted.
- Make sure that the arrow showing the direction of rotation (if any) on the cutting or rough grinding discs (including diamond cutting discs) and the direction of rotation of the appliance (arrow showing the direction of rotation on the head) match.

Working procedures

NOTE: Grinding tools should only be used for the recommended applications. Otherwise, they can break, be damaged or cause injuries.



Rough grinding: Never use cutting discs for rough grinding!

- While applying moderate pressure, move the angle grinder back and forth over the workpiece.
- For soft material, move the rough grinding disc at a shallow angle over the workpiece; for hard material at a slightly steeper angle.

OPERATION MAINTENANCE



Abrasive cutting: Never use roughing discs for cutting!

- Use only tested fibre-reinforced cutting or grinding discs that are approved for a circumferential speed of not less than 80 m/s.

CAUTION! The grinder continues running after being turned off. Do not try to brake it by applying lateral counterpressure.

- Secure the workpiece. Use clamps/a vice to hold the workpiece firmly in place. This is much safer than simply holding it in your hand.
- Always switch off the appliance before putting it down and wait for the appliance to come to a complete standstill.
- Use the appliance only for dry cutting or sanding.
- The additional handle must be mounted on the appliance for all work.
- Materials containing asbestos may not be processed. Asbestos is a known carcinogen.



Always wear safety goggles!



Always wear a dust mask!



Wear hearing protection!

MAINTENANCE

GENERAL INSPECTION

Regularly inspect all fasteners and ensure they are properly tightened. Should any of the screws be loose, retighten it immediately to avoid hazards.

If the replacement of the supply cord is necessary, this has to be done by the manufacturer or his agent in order to avoid a safety hazard.

CLEANING

For safe operation always keep the machine and its ventilation slots clean.

Regularly check to see if any dust or foreign matter has entered the ventilation slots and the grills around the switches. Use a soft brush and/or air jet to remove any accumulated dust. Wear safety glasses to protect your eyes whilst cleaning.

Exterior plastic parts may be cleaned with a damp cloth and mild detergent if necessary.

SPECIFICATIONS CE DECLARATION OF CONFORMITY

WARNING!

Never use alcohol, petrol or other cleaning agent. Never use caustic agents to clean plastic parts. Water must never come into contact with the tool.

REPLACEMENT PARTS

To assure product safety and reliability, repairs, maintenance and adjustment (including brush inspection and replacement) should be performed by authorised service centres always using genuine replacement parts.

SPECIFICATIONS

Model	SA125BLE
Rated voltage	220-240 V~ 50 Hz
Rated power	1300 W
No load speed	2880-11000 RPM
Disc width	125 mm
Thread size	M14
Weight	1,3 kg
A-weighted sound pressure level LpA	<85 db(A)
A-weighted sound power level LwA	91 dB(A)
Vibration emission value ah	5,2 m/s ²

Includes: front handle, wrench, blade guard, instruction manual

The manufacturer reserves the right to make changes and improvements to the products and to alter specifications without prior notice.

CE DECLARATION OF CONFORMITY

We STATUS ITALIA S.R.L. as the responsible manufacturer declare that the following STATUS machine(s): Cordless Angle grinder Model No./ Type: SA125BLE are of series production and conforms to the following European Directives: 2014/30/EU, 2006/42/EC.

And are manufactured in accordance with the following standards or standardised documents: EN 55014-1:2017, EN 55014-2:2015, EN ISO12100, EN 62841-1, EN 60745-2-3:2011/A13:2015. The technical documentation kept by the manufacturer: STATUS ITALIA S.R.L., via Aldo Moro, 14/A, 36060 - Pianezze (VI), ITALY

Caron Giacinto
Director
STATUS ITALIA S.r.l.

VERWENDUNGSZWECK

Das Gerät ist zum Trennen, Schruppen und Bürsten von Metall oder Fliesen ohne Verwendung von Wasser geeignet. Jede andere Verwendung oder Veränderung des Gerätes gilt als nicht bestimmungsgemäß und birgt erhebliche Unfallgefahren. Für aus bestimmungswidriger Verwendung entstandene Schäden übernehmen wir keine Haftung. Das Gerät ist nicht für den gewerblichen Einsatz bestimmt.

ALLGEMEINE SICHERHEITSHINWEISE FÜR ELEKTROWERKZEUGE

ARBEITSPLATZSICHERHEIT

- Halten Sie Ihren Arbeitsbereich sauber und gut beleuchtet. *Unordnung oder unbeleuchtete Arbeitsbereiche können zu Unfällen führen.*
- Arbeiten Sie mit dem Elektrowerkzeug nicht in explosionsgefährdeter Umgebung, in der sich brennbare Flüssigkeiten, Gase oder Stäube befinden. *Elektrowerkzeuge erzeugen Funken, die den Staub oder die Dämpfe entzünden können.*
- Halten Sie Kinder und andere Personen während der Benutzung des Elektrowerkzeugs fern. *Bei Ablenkung können Sie die Kontrolle über das Gerät verlieren.*

ELEKTRISCHE SICHERHEIT

- Der Anschlussstecker des Elektrowerkzeuges muss in die Steckdose passen. Der Stecker darf in keiner Weise verändert werden. Verwenden Sie keine Adapterstecker gemeinsam mit schutzgeerdeten Elektrowerkzeugen. *Unveränderte Stecker und passende Steckdosen verringern das Risiko eines elektrischen Schlages.*
- Vermeiden Sie Körperkontakt mit geerdeten Oberflächen wie von Rohren, Heizungen, Herden und Kühlschränken. *Es besteht ein erhöhtes Risiko durch elektrischen Schlag, wenn Ihr Körper geerdet ist.*
- Halten Sie Elektrowerkzeuge von Regen oder Nässe fern. *Das Eindringen von Wasser in ein Elektrowerkzeug erhöht das Risiko eines elektrischen Schlages.*
- Zweckentfremden Sie das Kabel nicht, um das Elektrowerkzeug zu tragen, aufzuhängen oder um den Stecker aus der Steckdose zu ziehen. Halten Sie das Kabel fern von Hitze, Öl, scharfen Kanten oder sich bewegenden Geräteteilen. *Beschädigte oder verwickelte Kabel erhöhen das Risiko eines elektrischen Schlages.*
- Wenn Sie mit einem Elektrowerkzeug im Freien arbeiten, verwenden Sie nur Verlängerungskabel, die auch für den Außenbereich geeignet sind. *Die Anwendung eines für den Außenbereich geeigneten Verlängerungskabels verringert das Risiko eines elektrischen Schlages.*
- Wenn der Betrieb des Elektrowerkzeuges in feuchter Umgebung nicht vermeidbar ist, verwenden Sie einen Fehlerstromschutzschalter. *Der Einsatz eines Fehlerstromschutzschalters vermindert das Risiko eines elektrischen Schlages.*

SICHERHEIT VON PERSONEN

- Seien Sie aufmerksam, achten Sie darauf, was Sie tun, und gehen Sie mit Vernunft an die Arbeit mit einem Elektrowerkzeug. Benutzen Sie kein Elektrowerkzeug, wenn Sie müde sind oder unter dem Einfluss von Drogen, Alkohol oder Medikamenten stehen. *Ein Moment der Unachtsamkeit beim Gebrauch des Elektrowerkzeuges kann zu ernsthaften Verletzungen führen.*
- Tragen Sie persönliche Schutzausrüstung und immer eine Schutzbrille. *Das Tragen persönlicher Schutzausrüstung, wie Staubmaske, rutschfeste Sicherheitsschuhe, Schutzhelm oder Gehörschutz, je nach Art und Einsatz des Elektrowerkzeuges, verringert das Risiko von Verletzungen.*
- Vermeiden Sie eine unbeabsichtigte Inbetriebnahme. Vergewissern Sie sich, dass das Elektrowerkzeug ausgeschaltet ist, bevor Sie es an die Stromversorgung und/oder den Akku anschließen, es aufnehmen oder tragen. *Wenn Sie beim Tragen des Elektrowerkzeuges den Finger am Schalter haben oder das Gerät eingeschaltet an die Stromversorgung anschließen, kann dies zu Unfällen führen.*
- Entfernen Sie Einstellwerkzeuge oder Schraubenschlüssel, bevor Sie das Elektrowerkzeug einschalten. *Ein Werkzeug oder Schlüssel, der sich in einem drehenden Geräteteil befindet, kann zu Verletzungen führen.*
- Vermeiden Sie eine abnormale Körperhaltung. Sorgen Sie für einen sicheren Stand und halten Sie jederzeit das Gleichgewicht. *Dadurch können Sie das Elektrowerkzeug in unerwarteten Situationen besser kontrollieren.*
- Tragen Sie geeignete Kleidung. Tragen Sie keine weite Kleidung oder Schmuck. Halten Sie Haare, Kleidung und Handschuhe fern von sich bewegenden Teilen. *Lockere Kleidung, Schmuck oder lange Haare können von sich bewegenden Teilen erfasst werden.*
- Wenn Staubabsaug- und -auffangeinrichtungen montiert werden können, vergewissern Sie sich, dass diese angeschlossen sind und richtig verwendet werden. *Verwendung einer Staubabsaugung kann Gefährdungen durch Staub verringern.*

VERWENDUNG UND BEHANDLUNG DES ELEKTROWERKZEUGES

- Überlasten Sie das Gerät nicht. Verwenden Sie für Ihre Arbeit das dafür bestimmte Elektrowerkzeug. *Mit dem passenden Elektrowerkzeug arbeiten Sie besser und sicherer im angegebenen Leistungsbereich.*
- Benutzen Sie kein Elektrowerkzeug, dessen Schalter defekt ist. *Ein Elektrowerkzeug, das sich nicht mehr ein- oder ausschalten lässt, ist gefährlich und muss repariert werden.*
- Ziehen Sie den Stecker aus der Steckdose und/oder entfernen Sie den Akku, bevor Sie Geräteeinstellungen vornehmen, Zubehörteile wechseln oder das Gerät weglegen. *Diese Vorsichtsmaßnahme verhindert den unbeabsichtigten Start des Elektrowerkzeuges.*

- **Bewahren Sie unbenutzte Elektrowerkzeuge außerhalb der Reichweite von Kindern auf. Lassen Sie Personen das Gerät nicht benutzen, die mit diesem nicht vertraut sind oder diese Anweisungen nicht gelesen haben.** *Elektrowerkzeuge sind gefährlich, wenn Sie von unerfahrenen Personen benutzt werden.*
- **Pflegen Sie Elektrowerkzeuge mit Sorgfalt. Kontrollieren Sie, ob bewegliche Teile einwandfrei funktionieren und nicht klemmen, ob Teile gebrochen oder so beschädigt sind, dass die Funktion des Elektrowerkzeuges beeinträchtigt ist. Lassen Sie beschädigte Teile vor dem Einsatz des Gerätes reparieren.** *Viele Unfälle haben ihre Ursache in schlecht gewarteten Elektrowerkzeugen.*
- **Halten Sie Schneidwerkzeuge scharf und sauber.** *Sorgfältig gepflegte Schneidwerkzeuge mit scharfen Schneidkanten verklemmen sich weniger und sind leichter zu führen.*
- **Verwenden Sie Elektrowerkzeug, Zubehör, Einsatzwerkzeuge usw. entsprechend diesen Anweisungen. Berücksichtigen Sie dabei die Arbeitsbedingungen und die auszuführende Tätigkeit.** *Der Gebrauch von Elektrowerkzeugen für andere als die vorgesehenen Anwendungen kann zu gefährlichen Situationen führen.*

SERVICE

- Lassen Sie Ihr Elektrowerkzeug nur von qualifiziertem Fachpersonal und nur mit Original-Ersatzteilen reparieren. Damit wird sichergestellt, dass die Sicherheit des Elektrowerkzeuges erhalten bleibt.

ZUSÄTZLICHE SICHERHEITSBESTIMMUNGEN

Gemeinsame Sicherheitshinweise zum Schleifen und Trennschleifen:

- a) Dieses Elektrowerkzeug ist zu verwenden als Schleifer und Trennschleifmaschine. Beachten Sie alle Sicherheitshinweise, Anweisungen, Darstellungen und Daten, die Sie mit dem Gerät erhalten. Wenn Sie die folgenden Anweisungen nicht beachten, kann es zu elektrischem Schlag, Feuer und / oder schweren Verletzungen kommen.
- b) Dieses Elektrowerkzeug ist nicht geeignet zum Sandpapierschleifen, Arbeiten mit Drahtbürsten und Polieren. Verwendungen, für die das Elektrowerkzeug nicht vorgesehen ist, können Gefährdungen und Verletzungen verursachen.
- c) Verwenden Sie kein Zubehör, das vom Hersteller nicht speziell für dieses Elektrowerkzeug vorgesehen und empfohlen wurde. Nur weil Sie das Zubehör an Ihrem Elektrowerkzeug befestigen können, garantiert das keine sichere Verwendung.
- d) Die zulässige Drehzahl des Einsatzwerkzeuges muss mindestens so hoch sein wie die auf dem Elektrowerkzeug angegebene Höchstdrehzahl. Zubehör, das sich schneller als zulässig dreht, kann zerbrechen und umherfliegen.
- e) Außendurchmesser und Dicke des Einsatzwerkzeuges müssen den Maßangaben Ihres Elektrowerkzeuges entsprechen. Falsch bemessene Einsatzwerkzeuge können nicht ausreichend abgeschirmt oder kontrolliert werden.

- f) Einsatzwerkzeuge mit Gewindeeinsatz müssen genau auf das Gewinde der Schleifspindel passen. Bei Einsatzwerkzeugen, die mittels Flansch montiert werden, muss der Lochdurchmesser des Einsatzwerkzeuges zum Aufnahmedurchmesser des Flansches passen. Einsatzwerkzeuge, die nicht genau am Elektrowerkzeug befestigt werden, drehen sich ungleichmäßig, vibrieren sehr stark und können zum Verlust der Kontrolle führen.
- g) Verwenden Sie keine beschädigten Einsatzwerkzeuge. Kontrollieren Sie vor jeder Verwendung Einsatzwerkzeuge wie Schleifscheiben auf Absplitterungen und Risse, Schleifteller auf Risse, Verschleiß oder starke Abnutzung, Drahtbürsten auf lose oder gebrochene Drähte. Wenn das Elektrowerkzeug oder das Einsatzwerkzeug herunterfällt, überprüfen Sie, ob es beschädigt ist, oder verwenden Sie ein unbeschädigtes Einsatzwerkzeug. Wenn Sie das Einsatzwerkzeug kontrolliert und eingesetzt haben, halten Sie und in der Nähe befindliche Personen sich außerhalb der Ebene des rotierenden Einsatzwerkzeuges auf und lassen Sie das Gerät eine Minute lang mit Höchstdrehzahl laufen. Beschädigte Einsatzwerkzeuge brechen meist in der Testzeit.
- h) Tragen Sie persönliche Schutzausrüstung. Verwenden Sie je nach Anwendung Vollgesichtsschutz, Augenschutz oder Schutzbrille. Soweit angemessen, tragen Sie Staubmaske, Gehörschutz, Schutzhandschuhe oder Spezialschürze, die kleine Schleif- und Materialpartikel von Ihnen fernhalten. Die Augen sollen vor herumfliegenden Fremdkörpern geschützt werden, die bei verschiedenen Anwendungen entstehen. Staub- oder Atemschutzmaske müssen den bei der Anwendung entstehenden Staub filtern. Wenn Sie lange lautem Lärm ausgesetzt sind, können Sie einen Hörverlust erleiden.
- i) Achten Sie bei anderen Personen auf sicheren Abstand zu Ihrem Arbeitsbereich. Jeder, der den Arbeitsbereich betritt, muss persönliche Schutzausrüstung tragen. Bruchstücke des Werkstücks oder gebrochene Einsatzwerkzeuge können wegfliegen und Verletzungen auch außerhalb des direkten Arbeitsbereichs verursachen.
- j) Halten Sie das Elektrowerkzeug nur an den isolierten Griffflächen, wenn Sie Arbeiten ausführen, bei denen das Einsatzwerkzeug verborgene Stromleitungen treffen kann. Der Kontakt mit einer spannungsführenden Leitung kann auch metallene Geräteteile unter Spannung setzen und zu einem elektrischen Schlag führen.
- k) Halten Sie das Netzkabel von sich drehenden Einsatzwerkzeugen fern. Wenn Sie die Kontrolle über das Gerät verlieren, kann das Netzkabel durchtrennt oder erfasst werden und Ihre Hand oder Arm in das sich drehende Einsatzwerkzeug geraten.
- l) Legen Sie das Elektrowerkzeug niemals ab, bevor das Einsatzwerkzeug völlig zum Stillstand gekommen ist. Das sich drehende Einsatzwerkzeug kann in Kontakt mit der Ablagefläche geraten, wodurch Sie die Kontrolle über das Elektrowerkzeug verlieren können.
- m) Lassen Sie das Elektrowerkzeug nicht laufen, während Sie es tragen. Ihre Kleidung kann durch zufälligen Kontakt mit dem sich drehenden Einsatzwerkzeug erfasst werden und das Einsatzwerkzeug sich in Ihren Körper bohren.

n) Reinigen Sie regelmäßig die Lüftungsschlitze Ihres Elektrowerkzeugs. Das Motorgebläse zieht Staub in das Gehäuse, und eine starke Ansammlung von Metallstaub kann elektrische Gefahren verursachen.

o) Verwenden Sie das Elektrowerkzeug nicht in der Nähe brennbarer Materialien. Funken können diese Materialien entzünden.

p) Verwenden Sie keine Einsatzwerkzeuge, die flüssige Kühlmittel erfordern. Die Verwendung von Wasser oder anderen flüssigen Kühlmitteln kann zu einem elektrischen Schlag führen.

Besondere Sicherheitshinweise zum Schleifen und Trennschleifen

a) Verwenden Sie ausschließlich die für Ihr Elektrowerkzeug zugelassenen Schleifkörper und die für diese Schleifkörper vorgesehene Schutzhaube. Schleifkörper, die nicht für das Elektrowerkzeug vorgesehen sind, können nicht ausreichend abgeschirmt werden und sind unsicher.

b) Gekrüpfte Schleifscheiben müssen so montiert werden, dass ihre Schleiffläche nicht über der Ebene des Schutzhaubenrandes hervorsteht. Eine unsachgemäß montierte Schleifscheibe, die über die Ebene des Schutzhaubenrandes hinausragt, kann nicht ausreichend abgeschirmt werden.

c) Die Schutzhaube muss sicher am Elektrowerkzeug angebracht und für ein Höchstmaß an Sicherheit so eingestellt sein, dass der kleinstmögliche Teil des Schleifkörpers offen zum Bediener zeigt. Die Schutzhaube hilft, die Bedienperson vor Bruchstücken, zufälligem Kontakt mit dem Schleifkörper sowie Funken, die Kleidung entzünden könnten, zu schützen.

d) Schleifkörper dürfen nur für die empfohlenen Einsatzmöglichkeiten verwendet werden. Zum Beispiel: Schleifen Sie nie mit der Seitenfläche einer Trennscheibe. Trennscheiben sind zum Materialabtrag mit der Kante der Scheibe bestimmt. Seitliche Krafteinwirkung auf diese Schleifkörper kann sie zerbrechen.

e) Verwenden Sie immer unbeschädigte Spannflansche in der richtigen Größe und Form für die von Ihnen gewählte Schleifscheibe. Geeignete Flansche stützen die Schleifscheibe und verringern so die Gefahr eines Schleifscheibenbruchs. Flansche für Trennscheiben können sich von den Flanschen für andere Schleifscheiben unterscheiden.

f) Verwenden Sie keine abgenutzten Schleifscheiben von größeren Elektrowerkzeugen. Schleifscheiben für größere Elektrowerkzeuge sind nicht für die höheren Drehzahlen von kleineren Elektrowerkzeugen ausgelegt und können brechen.

Weitere besondere Sicherheitshinweise zum Trennschleifen

a) Vermeiden Sie ein Blockieren der Trennscheibe oder zu hohen Anpressdruck. Führen Sie keine übermäßig tiefen Schnitte aus. Eine Überlastung der Trennscheibe erhöht deren Beanspruchung und die Anfälligkeit zum Verkanten oder Blockieren und damit die Möglichkeit eines Rückschlags oder Schleifkörperbruchs.

b) Meiden Sie den Bereich vor und hinter der rotierenden Trennscheibe. Wenn Sie die Trennscheibe im Werkstück von sich wegbewegen, kann im Falle eines Rückschlags das Elektrowerkzeug mit der sich drehenden Scheibe direkt auf Sie zugeschleudert werden.

c) Falls die Trennscheibe verklemmt oder Sie die Arbeit unterbrechen, schalten Sie das Gerät aus und halten Sie es ruhig, bis die Scheibe zum Stillstand gekommen ist. Versuchen Sie nie, die noch laufende Trennscheibe aus dem Schnitt zu ziehen, sonst kann ein Rückschlag erfolgen. Ermitteln und beheben Sie die Ursache für das Verklemmen.

d) Schalten Sie das Elektrowerkzeug nicht wieder ein, solange es sich im Werkstück befindet. Lassen Sie die Trennscheibe erst ihre volle Drehzahl erreichen, bevor Sie den Schnitt vorsichtig fortsetzen. Andernfalls kann die Scheibe verhaken, aus dem Werkstück springen oder einen Rückschlag verursachen.

e) Stützen Sie Platten oder große Werkstücke ab, um das Risiko eines Rückschlags durch eine eingeklemmte Trennscheibe zu vermindern. Große Werkstücke können sich unter ihrem eigenen Gewicht durchbiegen. Das Werkstück muss auf beiden Seiten der Scheibe abgestützt werden, und zwar sowohl in der Nähe der Trennscheibe als auch an der Kante.

f) Seien Sie besonders vorsichtig bei „Tauschnitten“ in bestehende Wände oder andere nicht einsehbare Bereiche. Die eintauchende Trennscheibe kann beim Schneiden in Gas- oder Wasserleitungen, elektrische Leitungen oder andere Objekte einen Rückschlag verursachen.

Rückschlag und entsprechende Sicherheitshinweise

Rückschlag ist die plötzliche Reaktion infolge eines hakenden oder blockierten drehenden Einsatzwerkzeuges, wie Schleifscheibe, Schleifteller, Drahtbürste usw. Verhaken oder Blockieren führt zu einem abrupten Stopp des rotierenden Einsatzwerkzeugs. Dadurch wird ein unkontrolliertes Elektrowerkzeug gegen die Drehrichtung des Einsatzwerkzeugs an der Blockierstelle beschleunigt. Wenn z.B. eine Schleifscheibe im Werkstück hakt oder blockiert, kann sich die Kante der Schleifscheibe, die in das Werkstück eintaucht, verfangen und dadurch die Schleifscheibe ausbrechen oder einen Rückschlag verursachen.

Die Schleifscheibe bewegt sich dann auf die Bedienperson zu oder von ihr weg, je nach Drehrichtung der Scheibe an der Blockierstelle. Hierbei können Schleifscheiben auch brechen. Ein Rückschlag ist die Folge eines falschen oder fehlerhaften Gebrauchs des Elektrowerkzeugs. Er kann durch geeignete Vorsichtsmaßnahmen, wie nachfolgend beschrieben, verhindert werden.

a) Halten Sie das Elektrowerkzeug gut fest und bringen Sie Ihren Körper und Ihre Arme in eine Position, in der Sie die Rückschlagkräfte abfangen können. Verwenden Sie immer den Zusatzgriff, falls vorhanden, um die größtmögliche Kontrolle über Rückschlagkräfte oder Reaktionsmomente beim Hochlauf zu haben. Die Bedienperson kann durch geeignete Vorsichtsmaßnahmen die Rückschlag- und Reaktionskräfte beherrschen.

b) Bringen Sie Ihre Hand nie in die Nähe sich drehender Einsatzwerkzeuge. Das Einsatzwerkzeug kann sich beim Rückschlag über Ihre Hand bewegen.

- c) Meiden Sie mit Ihrem Körper den Bereich, in den das Elektrowerkzeug bei einem Rückschlag bewegt wird. Der Rückschlag treibt das Elektrowerkzeug in die Richtung entgegengesetzt zur Bewegung der Schleifscheibe an der Blockierstelle.
- d) Arbeiten Sie besonders vorsichtig im Bereich von Ecken, scharfen Kanten usw. Verhindern Sie, dass Einsatzwerkzeuge vom Werkstück zurückprallen und verklemmen. Das rotierende Einsatzwerkzeug neigt bei Ecken, scharfen Kanten oder wenn es abprallt dazu, sich zu verklemmen. Dies verursacht einen Kontrollverlust oder Rückschlag.
- e) Verwenden Sie kein Ketten- oder gezähntes Sägeblatt. Solche Einsatzwerkzeuge verursachen häufig einen Rückschlag oder den Verlust der Kontrolle über das Elektrowerkzeug.

ELEMENTE DES ELEKTROWERKZEUGS

- | | |
|-----------------------------|----------------------------------|
| 1. Ein / Aus Schalter | 3. Geschwindigkeitseinstelltaste |
| 2. Spindelarretierungsknopf | 4. Klingenschutz |

ARBEITSHINWEISE

EIN- UND AUSSCHALTEN

- Einschalten: Den Ein- und Ausschalter 1 im hinteren Teil drücken und nach vorn in Pfeilrichtung schieben, bis sein Vorderteil versinkt und einrastet.
- Ausschalten: Den hinteren Teil des Ein- und Ausschalters drücken und zurück in die Ausgangsposition gleiten lassen.

MONTAGE DES RADSCHUTZES

INSTALLIEREN DES SCHUTZES: Setzen Sie den Klingenschutz mit dem Codierstift in die Codiernut ein. Drehen Sie den Klingenschutz in die gewünschte Position (Arbeitsposition). Die geschlossene Seite des Klingenschutzes muss immer zum Bediener zeigen. Ziehen Sie die Befestigungsschraube an.

WÄCHTER ENTFERNEN: Lösen Sie die Befestigungsschraube, drehen Sie die Abdeckung und entfernen Sie sie von der vorderen Abdeckung.

Schrupp- / Trennscheibe montieren / wechseln (siehe Abb. 2)

- Tragen Sie beim Wechseln von Trenn- / Schrappscheiben immer Schutzhandschuhe. Die Abmessungen der Schrupp- oder Trennscheiben beachten. Der Lochdurchmesser muss ohne Spiel zum Aufnahmeflansch passen. Keine Reduzierstücke oder Adapter verwenden.
- Verwenden Sie unbedingt nur schmutzfreie Scheiben.
 - Verwenden Sie nur Schleifwerkzeuge, deren zulässige Drehzahl mindestens so hoch ist wie die Leerlaufdrehzahl des Gerätes.
 - **VERLETZUNGSGEFAHR!** Betätigen Sie die Spindel-Arretiertaste nur bei stillstehender Aufnahmespindel.

- Drücken Sie die Spindel-Arretiertaste zum
- Blockieren des Getriebes.
- Lösen Sie die Spannmutter mit Hilfe des Zweiloch-Montage-Schlüssels (siehe Abb. D).
- Setzen Sie die Schrupp- oder Trennscheibe, mit der beschrifteten Seite zum Gerät, auf den Aufnahmeflansch.
- Setzen Sie anschließend die Spannmutter, mit der erhobenen Seite nach oben, wieder auf die Aufnahmespindel.

Bei dünnen Schleifscheiben:

- Der Bund der Spannmutter zeigt nach oben, damit eine dünne Schleifscheibe sicher gespannt werden kann.
- Drücken Sie die Spindel-Arretiertaste zum Blockieren des Getriebes.
- Ziehen Sie die Spannmutter mit dem Zweiloch-Montage-Schlüssel wieder fest.

Bei dicken Schleifscheiben:

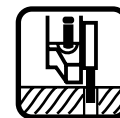
- Der Bund der Spannmutter zeigt nach unten, damit die Schleifscheibe sicher auf der Aufnahmespindel angebracht werden kann.
- Aufnahmespindel arretieren.
- Die Spannmutter mit dem Zweiloch-Montage-Schlüssel im Uhrzeigersinn festziehen.
- Lassen Sie das Gerät nach einem Scheibenwechsel sicherheitshalber 60 Sekunden auf Höchstdrehzahl laufen. Achten Sie auf ungewöhnliche Geräusche und Funkenentwicklung.
- Überprüfen Sie, ob alle Befestigungsteile korrekt angebracht sind.
- Achten Sie darauf, dass der Drehrichtungspfeil (falls vorhanden) auf den Trenn-, oder Schrappscheiben (auch Diamant-Trennscheiben) und die Drehrichtung des Gerätes (Drehrichtungspfeil auf dem Gerätekopf) übereinstimmen.

Arbeitshinweise

HINWEIS: Schleifkörper dürfen nur für die empfohlenen Einsatzmöglichkeiten verwendet werden. Andernfalls könnten sie zerbrechen, beschädigt werden und Verletzungen verursachen.



- Schrappschleifen:** Verwenden Sie niemals Trennscheiben zum Schrappen!
- Bewegen Sie den Winkelschleifer mit mäßigem Druck über das Werkstück hin und her.
 - Führen Sie bei weichem Material die Schrappscheibe in einem flachen Winkel über das Werkstück, bei hartem Material in einem etwas steileren Winkel.



- Trennschleifen:** Verwenden Sie niemals Schrappscheiben zum Trennen!
- Verwenden Sie nur geprüfte faserstoffverstärkte Trenn- oder Schleifscheiben, die für eine Umfangsgeschwindigkeit von nicht weniger als 80 m / s zugelassen sind.

ARBEITSHINWEISE WARTUNG

VORSICHT! Das Schleifwerkzeug läuft nach dem Ausschalten nach. Bremsen Sie es nicht durch seitliches Gegendrücken ab.

- Sichern Sie das Werkstück. Benutzen Sie Spannvorrichtungen / Schraubstock, um das Werkstück festzuhalten. Es ist damit sicherer gehalten, als mit Ihrer Hand.
- Schalten Sie das Gerät vor dem Ablegen immer aus und warten Sie, bis das Gerät zum Stillstand gekommen ist.
- Verwenden Sie das Gerät nur für Trockenschnitt bzw. Trockenschliff.
- Der Zusatz-Handgriff muss bei allen Arbeiten mit dem Gerät montiert sein.
- Asbesthaltiges Material darf nicht bearbeitet werden. Asbest gilt als krebserregend.



Tragen Sie immer eine Schutzbrille!



Tragen Sie immer eine Staubmaske!



Gehörschutz tragen!

WARTUNG

ALLGEMEINE ÜBERPRÜFUNG

Überprüfen Sie regelmäßig alle festhaltenden Elemente und überzeugen Sie sich, dass sie gut festgezogen sind. Falls irgendwelche Schraubenlocker geworden sind, ziehen Sie diese unverzüglich fest, damit Sie Risikosituationen vermeiden können.

Schmieren Sie regelmäßig alle sich bewegenden Teile. Falls das Netzkabel beschädigt ist, darf nur der Hersteller oder ein Servicefachmann des Herstellers den Austausch ausführen.

REINIGUNG

Zu einer sicheren Arbeit halten Sie die Maschine und die Ventilationsöffnungen immer sauber. Überprüfen Sie regelmäßig ob kein Staub oder Fremdkörper durch das Ventilationsgitter in der Nähe des Elektromotors oder um die Schalter eingedrungen sind. Benutzen Sie eine weiche Bürste um den angehäuften Staub zu beseitigen. Um Ihre Augen zu schützen, tragen Sie während der Reinigung eine Schutzbrille.

Wenn das Gehäuse der Maschine eine Reinigung braucht, wischen Sie es mit einem weichen feuchten Tuch ab. Man kann auch ein verdünntes Spülmittel benutzen.

WARNUNG!

Verwenden Sie niemals Alkohol, Benzin oder andere Reinigungsmittel. Verwenden Sie niemals ätzende Mittel Saubere Kunststoffteile. Wasser darf niemals mit dem Werkzeug in Berührung kommen.

TECHNISCHE DATEN KONFORMITÄTSERKLÄRUNG

ERSATZTEILE

Um die Produktsicherheit und Zuverlässigkeit zu gewährleisten, sollten Reparaturen, Wartungen und Anpassungen (einschließlich Bürstenkontrolle und Austausch) von autorisierten Kundendienststellen durchgeführt werden, wobei immer echte Ersatzteile verwendet werden.

TECHNISCHE DATEN

Modell	SA125BLE
Ladespannung	220-240 V~
Leistung	1300 W
Leerlaufdrehzahl	2880-11000 RPM
Scheibenmaß	125 mm
Gewindemaß	M14
Gewicht	1,3 kg
Der A-bewertete Schalldruckpegel LpA	<85 db(A)
Der A-bewertete Schalleistungspegel LwA	91 dB(A)
Schwingungsemissionswert ah	5.2 m/s ²

Beinhaltet: Vordergriff, Schraubenschlüssel, Klingenschutz, Bedienungsanleitung

Der Hersteller behält sich das Recht vor, Änderungen und Verbesserungen an den Produkten vorzunehmen und Spezifikationen ohne vorherige Ankündigung zu ändern.

KONFORMITÄTSERKLÄRUNG

Hiermit versichern wir unsere persönliche Haftung, dass Produkt im Abschnitt "Technische Daten" beschrieben" allen einschlägigen Bestimmungen folgender Richtlinien und entsprechender harmonisierten Standards entspricht: EN 55014-1:2017, EN 55014-2:2015, EN ISO12100, EN 62841-1, EN 60745-2-3:2011/A13:2015; 2014/30/EU, 2006/42/EC.

Die technischen Unterlagen werden bei STATUS ITALIA S.R.L., via Aldo Moro, 14/A, 36060 - Pianezze (VI), ITALY

Caron Giacinto
Director
STATUS ITALIA S.r.l.

USO PREVISTO

L'apparecchio è destinato alla troncatura, sgrossatura e spazzolatura di metallo o piastrelle senza uso di acqua. Qualunque altro impiego e qualunque modifica dell'apparecchio sono da considerarsi non conformi alla destinazione e comportano il rischio di infortuni. Non si assumono responsabilità per i danni derivanti da uso non conforme. L'apparecchio non è destinato all'uso commerciale.

AVVERTENZE GENERALI DI PERICOLO PER ELETTROUTENSILI

AREA DI LAVORO

- **Mantenere l'area di lavoro pulita e ben illuminata.** *Le zone buie ed ingombre di oggetti favoriscono incidenti.*
- **Non utilizzare l'utensile in presenza di liquidi infiammabili, gas o polvere.** *Le scintille generate potrebbero infiammare polvere e/o vapore.*
- **Tenere a distanza bambini e terzi durante il funzionamento.** *Per una distrazione potreste perdere il controllo dell'utensile.*

SICUREZZA ELETTRICA

- **La spina dell'utensile deve essere adatta alla presa utilizzata. Non modificare la spina in alcun modo. Non utilizzare adattatori con gli utensili collegati a terra.** *L'impiego di una spina integra ed una presa adatta riduce i rischi di folgorazione.*
- **Evitare di toccare con il corpo le superfici collegate a terra quali tubi, radiatori, forni e frigoriferi.** *Il rischio di folgorazione aumenta se il corpo è collegato a terra.*
- **Non esporre l'utensile alla pioggia e all'umidità.** *La penetrazione d'acqua nell'utensile aumenta il rischio di folgorazione.*
- **Non utilizzare il cavo per scopi diversi da quello previsto. Non utilizzare il cavo per trasportare o tirare l'utensile, oppure per staccare la spina dalla presa. Tenere il cavo lontano da fonti di calore, olio, parti appuntite o in movimento.** *Cavi danneggiati o attorcigliati aumentano il rischio di folgorazione.*
- **Se l'utensile viene utilizzato all'aperto, usare una prolunga adatta all'uso esterno.** *L'impiego di una prolunga da esterno riduce il rischio di folgorazione.*
- **Se il lavoro in un ambiente umido è strettamente necessario, utilizzare una presa protetta da dispositivo a corrente residua.** *Ciò riduce i rischi di scosse.*

SICUREZZA PERSONALE

- **L'uso di elettROUTENSILI richiede attenzione e buon senso. Non utilizzare gli utensili se si è stanchi o sotto l'effetto di droghe, alcol o medicinali.** *Una breve disattenzione può provocare gravi danni alle persone.*
- **Munirsi di indumenti e dispositivi di protezione. Indossare sempre occhiali da lavoro.** *L'uso di dispositivi di protezione tra cui mascherina antipolvere, scarpe antiscivolo, casco e protezioni per l'udito riduce il rischio di danni a persone.*

- **Evitare l'accensione accidentale. Accertarsi che l'interruttore sia in posizione "OFF" prima di inserire la spina.** *Se si trasportano gli utensili con il dito sull'interruttore o si inserisce la spina nella presa con l'interruttore in posizione "ON" aumenta il rischio di incidenti.*
- **Togliere tutte le chiavi di regolazione prima di accendere l'utensile.** *Una chiave lasciata inserita in una parte rotante di un utensile può provocare danni a persone.*
- **Non utilizzare l'utensile in condizioni estreme. Mantenere sempre l'equilibrio ed i piedi ben appoggiati a terra.** *Questo consente un maggior controllo dell'utensile in caso di imprevisti.*
- **Indossare un abbigliamento adeguato. Non indossare abiti svolazzanti o gioielli.** *Tenere capelli, vestiti, e guanti lontani dalle parti in movimento. Abiti svolazzanti, gioielli o capelli potrebbero impigliarsi nelle parti in movimento.*
- **In presenza di apparecchiature per il collegamento a dispositivi di aspirazione e raccolta delle polveri, accertarsi che essi siano collegati ed utilizzarli correttamente.** *L'uso di queste apparecchiature può ridurre i rischi causati dalla polvere.*

USO E MANUTENZIONE DELL'UTENSILE

- **Utilizzare l'utensile più adatto per il lavoro da svolgere.** *L'impiego dell'utensile giusto migliora la qualità del lavoro e la sicurezza.*
- **Non utilizzare l'utensile se non è possibile accenderlo e spegnerlo con l'apposito interruttore.** *Gli utensili che non possono essere controllati con l'interruttore sono pericolosi e devono essere riparati.*
- **Staccare la spina dall'alimentazione di corrente prima di eseguire regolazioni, cambiare accessori o riporre l'utensile.** *Osservando queste precauzioni si riduce il rischio di accensione accidentale dell'utensile.*
- **Riporre gli utensili non utilizzati fuori dalla portata dei bambini e non consentirne l'utilizzo a persone che non conoscono l'utensile o queste istruzioni.** *Nelle mani di persone inesperte gli utensili possono diventare pericolosi.*
- **Sottoporre l'utensile a manutenzione. Verificare il corretto allineamento di tutte le parti mobili, controllare che non siano grippate e che non vi siano rotture o altri guasti che potrebbero influire sul funzionamento dell'utensile.** *Far riparare gli utensili danneggiati prima di riutilizzarli. Molti incidenti sono causati da utensili in pessime condizioni.*
- **Tenere le punte e gli strumenti da taglio puliti ed affilati.** *Se sottoposti ad una regolare manutenzione e pulizia consentono di lavorare in modo più preciso e sono maggiormente controllabili.*
- **Utilizzare l'utensile, gli accessori, gli attrezzi etc. secondo quanto indicato in queste istruzioni nonché tenendo in considerazione le condizioni di lavoro e il lavoro da eseguire.** *L'impiego di utensili per scopi diversi da quelli per cui sono stati progettati può dare origine a situazioni pericolose.*

MANUTENZIONE

- **Far riparare l'utensile da personale qualificato che utilizzi solo parti di ricambio originali.** *In caso contrario la sicurezza dell'utensile potrebbe risultare compromessa.*

ULTERIORI NORME DI SICUREZZA

Indicazioni relative alla sicurezza riguardanti operazioni di levigatura e di troncatura:

- a) Questo elettroutensile è previsto per l'uso come smerigliatrice e troncatrice. Attenersi a tutte le indicazioni di sicurezza, istruzioni, raffigurazioni e dati ottenuti insieme all'apparecchio. In caso di mancata osservanza delle seguenti istruzioni, sussiste il pericolo di scossa elettrica, incendio e / o gravi lesioni.
- b) Questo elettroutensile non è adatto per levigatura con carta vetrata, lavori con spazzole metalliche o lucidatura. Gli usi per i quali l'elettroutensile non è previsto possono causare danni e lesioni.
- c) Non utilizzare accessori non previsti e raccomandati specificamente dal produttore per questo elettroutensile. Il semplice fatto che un accessorio possa essere fissato all'elettroutensile non è garanzia di impiego sicuro.
- d) Il numero di giri ammesso dell'utensile impiegato deve essere almeno pari al numero massimo di giri riportato sull'elettroutensile. Un accessorio che gira più rapidamente di quanto consentito potrebbe rompersi e i vari pezzi potrebbero essere scaraventati nell'ambiente circostante.
- e) Il diametro esterno e lo spessore dell'utensile montato devono corrispondere alle dimensioni dell'elettroutensile in dotazione. In caso di utilizzo di utensili di dimensioni sbagliate, non sarà possibile schermanli oppure controllarli a sufficienza.
- f) Gli utensili con inserto filettato devono essere esattamente inseriti nella filettatura del mandrino portamola. In caso di utensili montati tramite flangia, il diametro del foro dell'utensile deve essere adatto al diametro di inserimento della flangia. Gli utensili non fissati con precisione all'elettroutensile gireranno in modo sbilanciato, producendo forti vibrazioni e provocando perdita di controllo.
- g) Non utilizzare mai utensili danneggiati. Prima di ogni utilizzo controllare gli utensili e accertarsi che sulle mole abrasive non vi siano scheggiature o crepature, che il platorello non presenti incrinature, crepe o forte usura e che le spazzole metalliche non abbiano fili metallici allentati oppure rotti. Se l'elettroutensile o l'utensile impiegato dovesse sfuggire di mano e cadere, accertarsi che non abbia subito nessun danno o utilizzare un utensile intatto. Una volta controllato e montato l'elettroutensile, farlo funzionare per la durata di un minuto al numero massimo di giri, tenendolo lontano da se stessi e da altre persone nelle vicinanze. Solitamente, gli utensili danneggiati si rompono nel corso di questo periodo di prova.
- h) Indossare dispositivi di protezione individuale. A seconda dell'applicazione in corso, utilizzare una visiera completa, una maschera di protezione per gli occhi oppure occhiali di protezione. Se necessario, indossare maschera antipolvere, paraorecchie, guanti protettivi

oppure un grembiule speciale in grado di proteggere da piccole particelle di levigatura o di materiale. Gli occhi devono essere protetti da corpi estranei volanti proiettati nel corso delle diverse applicazioni. La maschera antipolvere e la maschera respiratoria devono filtrare la polvere generata durante l'applicazione. Se ci si espone per lungo tempo a un rumore troppo forte, si potrebbe incorrere in una perdita di udito.

- i) In presenza di altre persone, assicurarsi che vi sia una distanza di sicurezza dalla propria area di lavoro. Ogni persona che entra nella zona di lavoro deve indossare i dispositivi di protezione individuale. Frammenti del pezzo di lavoro o utensili rotti possono volare via e provocare incidenti anche al di fuori della zona di lavoro diretta.
- j) Sostenere l'elettroutensile solo dalle superfici di impugnatura isolate mentre si eseguono lavori in cui l'elettroutensile potrebbe entrare in contatto con linee di tensione nascoste. Il contatto con un cavo di tensione potrebbe mettere sotto tensione anche le parti in metallo dell'apparecchio e provocare così una scossa elettrica.
- k) Tenere lontano il cavo di rete dagli utensili rotanti. Se si perde il controllo sull'apparecchio, sussiste il pericolo di troncatura o di colpire il cavo di collegamento elettrico e la mano o il braccio dell'utente potrebbe finire a contatto con l'utensile in rotazione.
- l) Non poggiare mai l'elettroutensile prima che si sia fermato completamente. L'utensile in rotazione può entrare in contatto con la superficie di appoggio, facendo perdere il controllo sull'elettroutensile.
- m) Non trasportare mai l'elettroutensile quando è ancora in funzione. Gli indumenti dell'operatore possono essere catturati dall'utensile in rotazione tramite un contatto casuale, causando lesioni fisiche.
- n) Pulire regolarmente le feritoie di ventilazione dell'elettroutensile in dotazione. Il ventilatore del motore attira polvere nel carter e un forte accumulo di polvere metallica potrebbe provocare pericoli di natura elettrica.
- o) Non utilizzare mai l'elettroutensile nelle vicinanze di materiali infiammabili. Le scintille potrebbero incendiare questi materiali.
- p) Non utilizzare mai utensili che richiedono refrigeranti liquidi. L'utilizzo di acqua o di altri liquidi refrigeranti potrebbe provocare una scossa elettrica.

Indicazioni di sicurezza particolari per la levigatura e la troncatura

- a) Utilizzare esclusivamente smerigliatrici omologate per l'elettroutensile in dotazione e sempre in combinazione con la calotta di protezione prevista per ogni smerigliatrice. Le smerigliatrici non adatte all'elettroutensile non possono venire sufficientemente schermate e non garantiscono la sicurezza.
- b) Montare le mole abrasive a gomito in modo che la superficie di molatura non sporga oltre il livello del bordo della calotta di protezione. Una mola abrasiva montata erroneamente e sporgente oltre il livello del bordo della calotta di protezione non può essere schermata a sufficienza.

- c) La calotta di protezione deve essere applicata in modo sicuro all'elettrotensile e, per garantire la massima sicurezza possibile, la parte di smerigliatrice rivolta verso l'operatore deve essere il più possibile ridotta. La calotta di protezione aiuta a proteggere l'operatore da frammenti, contatto accidentale con la smerigliatrice nonché da scintille che potrebbero incendiare gli indumenti.
- d) Le smerigliatrici devono essere utilizzate esclusivamente per le applicazioni consigliate. Ad esempio: non eseguire mai lavori di levigatura con la superficie laterale di una mola di troncatrice. Le troncatrici sono destinate ad asportare materiale con il bordo. Se si esercitano carichi laterali su questi corpi abrasivi, vi è il pericolo di romperli.
- e) Utilizzare sempre flange di serraggio in perfetto stato e di dimensione e forma corrette per la mola selezionata. Le flange idonee sostengono la mola riducendo il più possibile il pericolo di rotture. Le flange per mole di troncatrice potrebbero differenziarsi dalle flange per mole abrasive di altro tipo.
- f) Non utilizzare mai mole abrasive usurate usate con elettrotensili più grandi. Le mole abrasive per elettrotensili più grandi non sono idonee al numero di giri superiore degli elettrotensili più piccoli e possono rompersi.

Ulteriori indicazioni di sicurezza particolari per la troncatrice

- a) Evitare il blocco della mola di troncatrice o l'impiego di una pressione eccessiva. Non eseguire tagli eccessivamente profondi. Sottoponendo la mola a carico eccessivo, se ne aumenta la sollecitazione e la si rende maggiormente soggetta ad angolature improprie o a blocchi, con conseguente pericolo di contraccolpo oppure di rottura del corpo abrasivo.
- b) Evitare di avvicinarsi alla zona anteriore o posteriore alla mola di troncatrice in rotazione. Spostando lontano da sé la mola di troncatrice nel pezzo di lavoro, in caso di contraccolpo l'elettrotensile con la mola in rotazione potrebbe essere proiettato direttamente verso l'operatore.
- c) Se la mola di troncatrice si blocca o se si interrompe il lavoro, spegnere l'apparecchio e aspettare che la mola si fermi completamente. Non tentare mai di estrarre dal taglio la mola in funzione poiché si potrebbe provocare un contraccolpo. Cercare ed eliminare la causa del blocco.
- d) Non riaccendere mai l'elettrotensile che sia ancora inserito nel pezzo di lavoro. Attendere che la mola arrivi al massimo numero di giri prima di proseguire cautamente con il taglio. In caso contrario, la mola può rimanere agganciata, saltare via dal pezzo di lavoro o provocare un contraccolpo.
- e) Sostenere i pannelli o i pezzi da lavorare di grandi dimensioni per ridurre il rischio di contraccolpo a causa di una mola di troncatrice incastrata. I pezzi da lavorare di grosse dimensioni potrebbero deformarsi a causa del peso intrinseco. Il pezzo da lavorare deve essere sostenuto da entrambi i lati della mola, sia nelle vicinanze della mola da taglio sia sui bordi.

- f) Adottare la massima cautela in caso di «tagli a immersione» da eseguire in pareti già esistenti oppure in altre parti non visibili. La mola da taglio che inizia il taglio sul materiale potrebbe provocare un contraccolpo se dovesse arrivare a troncature condutture del gas o dell'acqua, linee elettriche oppure oggetti di altro tipo.

Contraccolpo e relative indicazioni di sicurezza

Un contraccolpo è l'improvvisa reazione in seguito ad agganciamento o blocco dell'utensile rotante, come ad es. mola abrasiva, platorello, spazzola metallica ecc. Se l'utensile rotante si incastra o blocca, esso si ferma improvvisamente. In questo caso si genera un rimbalzo dell'elettrotensile nella direzione opposta a quella della rotazione dell'utensile in corrispondenza del punto di blocco.

Se ad es. una mola abrasiva resta agganciata o bloccata nel pezzo da lavorare, il bordo della mola abrasiva che viene inserito nel pezzo di lavoro potrebbe rimanere impigliato provocando in questo modo una rottura o un contraccolpo della mola stessa. La mola abrasiva si avvicina o si allontana dall'operatore a seconda della direzione di rotazione che ha nel momento in cui si blocca. In tali situazioni è anche possibile che le mole si rompano.

Un contraccolpo è la conseguenza di un uso improprio o erraneo dell'elettrotensile. Lo si può evitare adottando idonee misure preventive, come descritto di seguito.

- a) Tenere ben fermo l'elettrotensile e portare il corpo e le braccia in una posizione che consenta di assorbire le forze del contraccolpo. Se disponibile, utilizzare sempre l'impugnatura supplementare in modo da poter avere sempre il maggior controllo possibile su forze di contraccolpo o momenti di reazione durante la fase di accelerazione. Adottando appropriate misure di precauzione, è possibile tenere sotto controllo le forze di contraccolpo e di reazione.
- b) Non avvicinare mai la mano agli utensili in rotazione. Durante il contraccolpo, l'utensile potrebbe spostarsi sulla mano.
- c) Evitare di avvicinarsi con il corpo alla zona in cui l'elettrotensile si sposterebbe in caso di contraccolpo. Un contraccolpo provoca uno spostamento improvviso dell'elettrotensile nella direzione opposta a quella della rotazione della mola in corrispondenza del punto di blocco.
- d) Operare con particolare attenzione in prossimità di spigoli, bordi taglienti, ecc. Impedire che gli utensili possano rimbalzare dal pezzo di lavoro e incastrarsi. L'utensile in rotazione ha la tendenza a rimanere bloccato in angoli e spigoli vivi, oppure in caso di rimbalzo. Ciò provoca una perdita del controllo oppure un contraccolpo.
- e) Non utilizzare seghe a catena o lame dentellate. Questo tipo di accessori provoca spesso un contraccolpo oppure la perdita del controllo sull'elettrotensile.

PRENDERE VISIONE DELL'ELETTROUTENSILE

1. Interruttore ON/OFF
2. Pulsante di bloccaggio del mandrino
3. Pulsante di regolazione della velocità
4. Protezione della lama

ISTRUZIONI PER L'USO

AVVIAMENTO-ARRESTO

- Avviamento: Premere il cursore dell'interruttore 1 nella sua parte posteriore, e poi spostarlo in avanti nella direzione della freccia, finché la sua parte anteriore non si affonderà e bloccherà.
- Arresto: Premere la parte posteriore sollevata dell'interruttore 1 e lasciarlo ritornare da solo nella posizione di partenza.

ISTRUZIONI SUL MONTAGGIO DEL RIPARO

PROTEZIONE DI INSTALLAZIONE: Posizionare la protezione della lama con il perno di codifica nella scanalatura di codifica. Ruotare la protezione della lama nella posizione richiesta (posizione di lavoro). Il lato chiuso del paralama deve essere sempre rivolto all'operatore. Stringere la vite di fissaggio

RIMOZIONE DELLA PROTEZIONE: Allentare la vite di fissaggio, ruotare il coperchio e rimuoverlo dal coperchio anteriore.

Montaggio / sostituzione del disco di sgrossatura / troncatura (vedi fig. 2)

Durante la sostituzione delle mole di troncatura/sgrossatura, indossare sempre guanti protettivi. Tenere conto delle dimensioni delle mole di sgrossatura e troncatura. Il diametro del foro non deve avere gioco rispetto alla flangia portamola. Non utilizzare riduttori o adattatori.

- Utilizzare esclusivamente mole pulite.
- Utilizzare solo smerigliatrici il cui numero di giri consentito sia almeno uguale al numero di giri al minimo dell'apparecchio.
- **PERICOLO DI LESIONI!** Azionare il tasto di blocco mandrino solo con il mandrino portamola fermo.
- Premere il tasto di blocco mandrino per bloccare il meccanismo.
- Allentare il dado di serraggio con l'ausilio della chiave di montaggio a due fori (vedi fig. D).
- Disporre la mola di troncatura o sgrossatura con il lato scritto verso l'apparecchio sulla flangia portamola.
- Inserire quindi il dado di serraggio con il lato sollevato verso l'alto nuovamente sul mandrino portamola.

In caso di mole abrasive sottili

- Il collare del dado di serraggio è rivolto verso l'alto per bloccare in modo sicuro una mola abrasiva sottile.
- Premere il tasto di blocco mandrino per bloccare il meccanismo.
- Serrare nuovamente il dado di serraggio con la chiave di montaggio a due fori.

In caso di mole abrasive spesse

- Il collare del dado di serraggio è orientato verso il basso per poter applicare la mola abrasiva in modo stabile al mandrino portamola.
- Fermare il mandrino portamola.
- Stringere il dado di serraggio con la chiave di montaggio a due fori ruotando in senso orario.
- Per sicurezza, dopo un cambio di mola fare funzionare l'apparecchio per 60 secondi alla massima velocità. Prestare attenzione a rumori insoliti e allo sviluppo di scintille.
- Verificare che tutte le parti di fissaggio siano applicate correttamente.
- Assicurarsi che la freccia della direzione di rotazione (se presente) sulle mole di troncatura o sgrossatura (anche mole di diamante) e la direzione di rotazione dell'apparecchio (freccia della direzione di rotazione sulla testa dell'apparecchio) coincidano.

Indicazioni di lavoro

NOTA: Le smerigliatrici devono essere utilizzate esclusivamente per le applicazioni consigliate. In caso contrario, potrebbero rompersi, danneggiarsi e causare lesioni.



Lavori di sgrossatura: Non utilizzare mai mole da troncatura per lavori di sgrossatura!

- Muovere avanti e indietro la smerigliatrice angolare applicando una pressione moderata sul pezzo di lavoro.
- In caso di materiale morbido, condurre la mola da sgrossatura con un angolo piatto sopra il pezzo di lavoro, in caso di materiale duro con un angolo un poco più elevato.



Lavori di troncatura: Non utilizzare mai mole abrasive da sgrossatura per la troncatura!

- Utilizzare solo mole da troncatura o abrasive rinforzate con fibra e omologate, idonee per una velocità perimetrale non inferiore a 80 m / s.

CAUTELA! La smerigliatrice continua a girare dopo lo spegnimento. Non frenarla con una contropressione laterale.

ISTRUZIONI PER L'USO MANUTENZIONE

- Fissare il pezzo da lavorare. Utilizzare dispositivi di serraggio/morsetti a vite per fissare il pezzo di lavoro. In tal modo verrà fissato più saldamente rispetto al fissaggio manuale.
- Prima di riporre l'apparecchio, spegnerlo sempre e aspettare che si fermi completamente.
- Utilizzare l'apparecchio solo per il taglio a secco o la levigatura a secco.
- L'impugnatura supplementare deve essere montata durante tutti i lavori eseguiti con l'apparecchio.
- Non lavorare materiali contenenti amianto. L'amianto è considerato cancerogeno.



Indossare sempre occhiali protettivi!



Indossare sempre una maschera antipolvere!



Indossare protezioni acustiche!

MANUTENZIONE

CONTROLLI GENERICI

Controllare regolarmente tutti gli elementi di fissaggio ed accertarsi che siano saldamente assicurati. Nel caso in cui qualche vite si è allentata, stringerla subito, per evitare situazioni di rischio.

Lubrificare regolarmente tutte le parti in movimento. Se il cavo di alimentazione è guasto, la sostituzione deve essere fatta dal costruttore o da un suo specialista di centro assistenza, per ovviare ai pericoli relativi alla sostituzione.

PULIZIA

Per un lavoro sicuro mantenere sempre puliti la macchina e i fori di ventilazione. Verificare regolarmente che non siano penetrati polvere o corpi estranei nella griglia di ventilazione vicino al motore elettrico o intorno ai commutatori. Usare una spazzola soffice per rimuovere la polvere ammassata. Per proteggere gli occhi durante la pulitura, portare occhiali di protezione.

Se la carcassa della macchina necessita la pulitura, spolverarla con un canovaccio morbido e umido. Si può usare un debole detergente.

ATTENZIONE: Non è ammesso l'uso di alcool, benzina o altri solventi. Non adoperare mai preparati attaccanti per la pulitura delle parti plastiche. Non è ammessa l'entrata di acqua in contatto con la macchina.

DATI TECNICI DICHIARAZIONE DI CONFORMITÀ

PARTI DI RICAMBIO

Per provvedere a un lavoro sicuro con l'elettrotensile, e alla sua affidabilità, tutte le attività relative alla riparazione, la manutenzione e la regolazione (ivi incluse la verifica e la sostituzione delle spazzole) vanno effettuare nei centri assistenza autorizzati, usando soltanto pezzi di ricambio originali.

DATI TECNICI

Modello	SA 125BLE
Voltaggio	220-240V~
Potenza	1300 W
Giri a vuoto	2880-11000 RPM
Dimensioni disco	125 mm
Filettatura	M14
Peso	1,3 kg
Misurazione A del livello di pressione acustica LpA	<85 db(A)
Misurazione A del livello di potenza acustica LwA	91 dB(A)
Valori di vibrazione ah	5.2 m/s ²

Include: impugnatura anteriore, chiave inglese, coprilama, manuale istruzioni

L'azienda produttrice si riserva il diritto di apportare modifiche tecniche senza preavviso.

DICHIARAZIONE DI CONFORMITÀ

Noi dichiariamo sotto la nostra personale responsabilità, che il prodotto, descritto nella sezione "Dati tecnici" è in conformità a tutte le disposizioni pertinenti della presente direttive e norme armonizzate: EN 55014-1:2017, EN 55014-2:2015, EN ISO12100, EN 62841-1, EN 60745-2-3:2011/A13:2015; 2014/30/EU, 2006/42/EC.

Il fascicolo tecnico viene custodito presso la STATUS ITALIA S.R.L., via Aldo Moro, 14/A, 36060 - Pianezze (VI), ITALY

Caron Giacinto
Director
STATUS ITALIA S.r.l.

ПРЕДНАЗНАЧЕНИЕ НА ИЗДЕЛИЕТО

Уредът е предназначен за рязане, грубо рязане и четкане на метал или плочки без използване на вода. Всяко друго използване или модификация на уреда се счита за неправилно и носи значителен риск от злополуки. Производителят не поема отговорност за щети в резултат на неправилна употреба. Уредът не е предназначен за търговска употреба.

ОСНОВНИ ПРАВИЛА ЗА БЕЗОПАСНОСТ

Прочетете инструкцията до края. Неспазването на правилата за употреба, описани долу, може да доведе до травми или до излизането извън строя на изделието. Запазете дадената инструкция.

РАБОТНО МЯСТО

- Пазете работното си място в чисто състояние, без каквито и да било странични предмети. Работното място трябва да бъде добре осветено за избягване на нещастни случаи.
- Не използвайте уреда за работа във взривоопасна атмосфера и в близост до лесно възпламеними течности. Електрическият двигател на уреда по време на работа изпуска искри и това може да стане причина за пожар.
- По време на работа не се допуска присъствието на странични лица и деца на работното място.

ЕЛЕКТРИЧЕСКА БЕЗОПАСНОСТ

- Мрежовата розетка трябва да съответства на щепселната вилка, която е монтирана на мрежовия кабел на уреда. *Забранено е да внасяте промени в конструкцията на вилката и да използвате каквито и да било преходни елементи.*
- По време на работа избягвайте контакта със заземени предмети: водопроводни тръби, отоплителни радиатори и други. *При контакт със заземени предмети рискът от електрически удар значително нараства.*
- Предпазвайте уреда от въздействието на водата и повишената влажност. *Попадането на вода във вътрешността на уреда може да причини електрически удар.*
- Пазете мрежовия кабел на уреда. Не бива да използвате кабела за пренасяне на уреда, не бива да дърпате кабела, за да изключите уреда. Разполагайте кабела по време на работа далеч от източници на топлина, подвижни части на уреда и предмети с остри краища. *Повреденият кабел може да стане причината за електрически удар.*
- При работа с уреда извън помещенията е необходимо да използвате удължител, който е специално предназначен за експлоатация на открито. *Използването на специален удължител съществено понижава риска от електрически удар.*

- Параметрите на мрежата, в която да включите уреда, трябва да съответстват на параметрите, посочени върху фабричната табелка на уреда (220-240 V~, 50 Hz).

ЛИЧНА БЕЗОПАСНОСТ

- Не бива да работите с уреда в състояние на алкохолно или наркотично опиянение, под въздействието на лекарства или ако сте болни. *Краткосрочната загуба на контрол над уреда по време на работа може да стане причината за тежки травми.*
- Винаги използвайте средства за индивидуална защита, както и защитни очила. Към средствата за индивидуална защита можем да включим следните: респиратор, обувки, които не се хлъзгат, както и шумозащитни наушници. *Прилагането на средства за защита ще направи работата ви по-комфортна и безопасна.*
- Бъдете внимателни: при включване на уреда в мрежата, клавишът на изключвателя не бива да бъде фиксиран във включено положение. *Това ще помогне за избягване на случайното включване на уреда.*
- Преди включване на уреда, от него трябва да бъдат свалени регулиращите инструменти, отвертките и други. *Попадането на инструмента в подвижните части на уреда при включване може да стане причината за настъпване на травми и да доведе до излизането му от строя.*
- По време на работа е необходимо да заемате устойчиво положение. Винаги стойте върху устойчива опора. *Загубата на равновесие по време на работа може да стане причината за настъпване на тежки травми.*
- Не бива да обличате за работа прекомерно свободни дрехи. Преди началото на работа свалете бижутата, които носите. Ако имате дълга коса, приберете я под шапка за коса. *Попадането на краищата на дрехите, бижутата и косата в движещите се части на уреда може да причини травми.*
- Ако е предвидено включването на прахосмукачка към уреда, е задължително да я включите преди работа. *Ефективното почистване на праха от работната зона ще направи работата ви по-удобна и ще запази здравето ви.*

БЕЗОПАСНА ЕКСПЛОАТАЦИЯ И СЪХРАНЕНИЕ НА УРЕДА

- Не бива да претоварвате уреда. За всеки вид работа използвайте само онзи вид инструмент или приспособление, които са предназначени за това.
- Не използвайте уреда, ако изключвателят му е повреден. *Ако изключвателят не работи както трябва, и включването/изключването на уреда е затруднено, изключвателят трябва да бъде незабавно подменен.*
- Винаги изключвайте уреда от мрежата, преди да регулирате уреда или да подмените приставката. *Това ще ви помогне да избегнете случайното включване на уреда по време на работите за обслужването му.*
- Съхранявайте уреда на място, което е недостъпно за деца и лица, които нямат необходимите навици за работа с уреда. Лице, което преди това не е работило с такъв тип инструмент, преди началото на работата трябва внимателно да прочете тази инструкция.

- **Преди да започнете работа, внимателно проверете състоянието на уреда: за лекотата на преместване на подвижните части, за липсата на повредени корпусни детайли и приспособления.** *Всяка повредена част на изделието или приспособление трябва да бъде подменена преди началото на работата.*
- **Съхранявайте режещото приспособление в чист вид, добре наточено и смазано.**
- **Използвайте инструмента и приспособлението само и единствено за извършване на тези видове работи, които са предвидени в инструкциите за експлоатация на съответния уред.** *Експлоатацията на уреда не по предназначение може да доведе до счупването му и да причини травми.*

СЕРВИЗНО ОБСЛУЖВАНЕ

- **Ремонтът на уреда трябва да се извършва в оторизиран сервизен център, от квалифициран персонал и само и единствено с оригинални резервни части.** *Използването на резервни части, които не са сертифицирани от производителя на съответния уред може да доведе до излизане на уреда от строя и нарушаване на нормите за електрическа безопасност на уреда.*

СПЕЦИАЛНИ ПРАВИЛА ЗА БЕЗОПАСНОСТ

Общи указания за безопасност при шлифоване с абразивен диск, шлифоване с шкурка, почистване с телена четка, полиране и рязане с абразивен диск:

- а) Този електроинструмент може да се използва като шлифовъчна машина с абразивен диск и машина за рязане с абразивен диск. Прочетете всички указания за безопасност, инструкции, изображения и данни, които сте получили с машината. Неспазването на указанията за безопасност може да предизвика поражение от електрически ток, пожар и/или сериозно нараняване.
- б) Този електроинструмент не е подходящ като шлифовъчна машина с шкурка, с телена четка, полираща машина. Операции, за които електроинструментът не е предназначен, могат да създадат опасност и да предизвикат нараняване.
- в) Не използвайте принадлежности, които не са разрешени и препоръчани от производителя специално за този електроинструмент. Фактът че можете да закрепите принадлежността на Вашия електроинструмент, не гарантира безопасна употреба.
- г) Номиналните обороти на принадлежността трябва да са най-малко равни на посочените върху електроинструмента максимални обороти. Принадлежности, които се въртят със скорост, по-висока от тяхната номинална скорост, могат да се счупят и парчетата им да се разлетят.
- д) Външният диаметър и дебелината на работния инструмент трябва да бъдат в границите на указаните размери на Вашия електроинструмент. Принадлежности с неподходящи размери не могат да бъдат защитени или управлявани добре.

- ф) Резбата на работните инструменти, които се монтират, трябва да съответства на резбата на вретеното на шлифовъчната машина. За работни инструменти, монтирани чрез фланци, присъединителният отвор на работния инструмент трябва да пасне на фиксиращия диаметър на фланеца. Работни инструменти, които не пасват на монтажната метална част на електроинструмента, се въртят неуравновесено, вибрират прекомерно и може да предизвикат загуба на контрол.
- г) Не използвайте повредени принадлежности. Преди всяка употреба проверявайте принадлежностите - шлифовъчните дискове за нацърбване и пукнатини, еластичните дискове за пукнатини, разкъсване или силно износване, телените четки за разхлабени или начупени нишки. Ако изтървете електроинструмента или принадлежността, проверете за повреда или монтирайте неповредена принадлежност. След като принадлежността е проверена и монтирана, застанете заедно със страничните лица извън равнината на въртене на принадлежността и оставете електроинструмента да работи с максимални обороти на празен ход в продължение на една минута. Обикновено това време е достатъчно за повредените принадлежности да се счупят.
- г) Носете лични предпазни средства. В зависимост от конкретния случай, използвайте предпазен щит за лицето или защитни очила. Ако е необходимо, използвайте прахозащитна маска, средства за защита за слуха, защитни ръкавици или специална престилка, която да задържа малките частици от шлифовъчната принадлежност или обработвания детайл. Средствата за защита на очите трябва да предпазват от възникналите при различните операции хвърчащи отломки. Прахозащитните и газозащитните маски трябва да филтрират отделяните при работа частици. Продължителното излагане на силен шум може да предизвика загуба на слуха.
- и) Дръжте страничните лица на безопасно разстояние от зоната на работа. Всяко лице, намиращо се в зоната на работа, трябва да носи лични предпазни средства. Възможно е хвърчащи отломки от обработвания детайл или от счупена принадлежност да предизвикат нараняване и извън границите на непосредствената зона на работа.
- ж) Дръжте електроинструмента само за изолираните повърхности за захващане когато извършвате операция, при която режещата принадлежност може да допре до скрита ел.инсталация или до собствения шнур. Допирът на режещата принадлежност до проводник под напрежение ще постави откритите метални части на електроинструмента под напрежение и операторът ще получи токов удар.
- к) Дръжте хранящия кабел извън обсега на действие на въртящата се принадлежност. Ако изгубите контрол над електроинструмента, хранящият кабел може да бъде срязан или да увлече дланта или ръката Ви в обсега на въртящия се инструмент.
- л) Никога не оставяйте електроинструмента преди принадлежността да е напълно спряла да се върти. Въртящата се принадлежност може да захване обработвания материал и да загубите контрол над електроинструмента.
- м) Не оставяйте електроинструмента да работи, докато го носите. Случаен допир на въртящата се принадлежност до облеклото Ви може го захване и тя да нарани тялото Ви.

- n) Почиствайте редовно вентилационните отвори на електроинструмента. Вентилаторът на електродвигателя засмуква прах в корпуса, а прекомерното натрупване на метален прах може да предизвика опасност за поражение от електрически ток.
- o) Не използвайте електроинструмента в близост до горими материали. Искрите могат да възпламенят тези материали.
- p) Не използвайте принадлежности, работата с които изисква течни охлаждащи средства. Използването на вода или други течни охлаждащи средства може да доведе до поражение или удар от електрически ток.

Специфични указания за безопасност при шлифоване и рязане с абразивен диск

- a) Използвайте само препоръчаните за електроинструмента видове дискове с предвиден за тях предпазител. Дискове, за които електроинструментът не е проектиран, не могат да бъдат подходящо защитени и не са безопасни.
- b) Шлифовъчната повърхнина на дискове с изпъкнал център, трябва да бъде монтирана под равнината на борда на предпазителя. Неправилно монтиран шлифовъчен диск, който се издава над равнината на борда на предпазителя, не може да бъде адекватно защитен.
- c) Предпазителят трябва да се закрепва надеждно към електроинструмента и да е разположен така, че да осигурява максимална безопасност, т.е. възможно най-малка част от диска да е открита към оператора. Предпазителят трябва да предпазва оператора от отломки, случаен контакт с диска и искри, които биха могли да подпалят облеклото.
- d) Дисковете трябва да се използват само за препоръчаните приложения. Например никога не шлифвайте със страничната повърхност на отрезен диск. Отрезните дискове са предназначени за отнемане на материал с ръба на диска. Упражняването на страничен натиск върху такъв диск може да го строши.
- e) Винаги използвайте изправни затягащи фланци с подходящ размер и форма за избрания диск. Правилно избраните затягащи фланци закрепват диска и намаляват опасността от счупването му. Затягащите фланци за отрезни дискове могат да се различават от затягащите фланци за друг вид дискове.
- f) Не използвайте износени дискове от по-големи електроинструменти. Дискът за по-голям електроинструмент не е подходящ за по-високите обороти на по-малък електроинструмент и може да се счупи.

Специфични указания за безопасност при рязане с абразивен диск

- a) Избягвайте заклиняване на отрезния диск или прилагане на прекомерен натиск. Не се опитвайте да извършвате твърде дълбоки разрези. Претоварването на отрезния диск увеличава неговото износване и податливостта към усукване или блокиране, а оттам и възможността за отскок или счупване на диска.

- b) Не заставайте в областта пред и зад въртящия се диск. Ако отрезният диск в мястото на рязане, се отдалечава от Вашето тяло, евентуален отскок би тласнал електроинструментът с въртящия се диск право към Вас.
- c) Ако отрезният диск се е заклинил или ако по някаква причина прекъснете работата, изключете електроинструмента и го дръжте неподвижен докато дискът окончателно спре да се върти. Никога не се опитвайте да извадите още въртящия се диск от разреза, в противен случай ще предизвикате отскок. Открийте и отстранете причината за заклиняването.
- d) Никога не включвайте повторно електроинструмента, докато отрезният диск се намира още в детайла. Оставете отрезния диск да достигне пълните обороти преди да го вкарате внимателно в разреза. В противен случай дискът може да заседне, да се изплъзне от детайла или да отскочи.
- e) Осигурете с допълнителни опори плочите или детайлите с големи размери, за да намалите риска от заклиняване и отскок. Детайлите с големи размери провисват от собственото си тегло. Детайлът трябва да се подпира от двете страни на диска, както в близост до разреза така и в краищата на детайла.
- f) Бъдете особено предпазливи при прорязване на канали в съществуващи стени или други зазидани повърхнини. Издаващият се напред диск може да среже газопроводни или водопроводни тръби, електрическа инсталация или други обекти, което да предизвика отскок.

Отскок (обратен удар) и свързаните с него указания за безопасност

Отскок е внезапната реакция вследствие на заклиняване или блокиране на принадлежност, например шлифовъчен диск, еластичен диск, телена четка и т.н. Заклиняването или блокирането води до внезапно спиране на въртенето на принадлежността, което от своя страна изтласква неконтролируемия електроинструмент в посока обратна на посоката на въртене на работния инструмент в точката на заклиняване. Например ако шлифовъчният диск се заклини или блокира в детайла, ръбът на шлифовъчния диск, който е врязан в детайла, засяда и вследствие на това дискът може да се счупи или да предизвика отскок. Шлифовъчният диск отскача към или от оператора, в зависимост от посоката на въртене на диска в мястото на блокиране. При тези обстоятелства е възможно шлифовъчните дискове да се счупят. Отскокът е резултат от неправилна употреба и/или неправилна експлоатация или условия на работа с електроинструмента и може да се предотврати чрез описаните по-долу подходящи предпазни мерки.

- a) Дръжте здраво електроинструмента, заемете подходяща стойка и поставете ръцете си така, че да можете да овладеете силата на отскока. Винаги използвайте допълнителната ръкохватка, ако електроинструментът е снабден с такава, за да имате възможно най-голям контрол над силата на отскока или реактивния момент при пускане. Чрез подходящи предпазни мерки операторът може да овладее реактивния момент и отскока.

ЗАПОЗНАВАНЕ С ЕЛЕКТРОИНСТРУМЕНТА УКАЗАНИЯ ЗА РАБОТА

- б) Никога не поставяйте ръцете си в близост до въртящата се принадлежност. Принадлежността може да отскочи върху ръката Ви.
- с) Не заставайте в областта, в която електроинструментът би се придвижил при отскок. Отскокът задвижва електроинструмента в посока, противоположна на движението на шлифовъчния диск, в мястото на блокиране.
- д) Когато обработвате ъгли, остри ръбове и др., работете с повишено внимание. Не позволявайте принадлежността да отскача или да блокира в детайла. При обработката на ъгли и остри ръбове има вероятност въртящата се принадлежност да се заклинни, с което да предизвика загуба на контрол или отскок.
- е) Не използвайте верижни или циркулярни дискове за обработване на дървесина. Тези принадлежности често предизвикват отскок или загуба на контрол над електроинструмента.

ЗАПОЗНАВАНЕ С ЕЛЕКТРОИНСТРУМЕНТА

- | | |
|------------------------------------|-------------------------------------|
| 1. Ключ ВКЛ./ИЗКЛ | 3. Бутон за регулиране на скоростта |
| 2. Бутон за заключване на шпиндела | 4. Предпазител за острието |

УКАЗАНИЯ ЗА РАБОТА

ПУСКАНЕ - СПИРАНЕ

- Пускане: Плъзгачът на прекъсвача 1 се натиска в задната част и след това се измества напред по посока на стрелката, докато предната му част хлътне и се застопори.
- Спиране: Задният надигнат край на прекъсвача 1 се натиска и се оставя самостоятелно да се върне назад в изходно положение.

УКАЗАНИЯ ЗА МОНТАЖ НА ПРЕДПАЗИТЕЛЯ КЪМ ИНСТАЛАЦИЯ GUARD:

Отворете ключалката за освобождаване/заключване на предпазителя и поставете предпазителя на шийката на шпиндела, така че двете неравности на предпазителя, подравнете с двата вдлъбнатини на шийката на шпиндела. Завъртете предпазителя в двете посоки до желаната позиция и затворете резето и закрепете предпазителя на място.

ЗА ПРЕМАХВАНЕ НА ПРЕДПАЗИТЕЛЯ:

Отворете ключалката за освобождаване/заключване на предпазителя, завъртете предпазителя, докато двете неравности на предпазителя се изравнят с двата вдлъбнатини на шийката на шпиндела и повдигнете предпазителя от шийката на шпиндела.

УКАЗАНИЯ ЗА РАБОТА

Монтиране / смяна на диска (фиг. 2)

- Винаги носете защитни ръкавици, когато сменяте диска.
- Обърнете внимание на размерите на диска. Диаметърът на отвора трябва да е Ф125. Не използвайте редуктор или адаптер.
- Използвайте само шлифовъчни дискове, чиято допустима скорост е толкова висока, колкото на табелката с данни на електрическия инструмент.
- РИСК ОТ ТРАВМА! Натиснете бутона за заключване на шпиндела само когато шпиндел е напълно спрял.
- Натиснете бутона за заключване на шпиндела.
- Отвийте затягащата гайка с помощта на монтажен гаечен ключ с два отвора
- Поставете шлифовъчен или режещ диск със страната на етикета към уреда върху монтажния фланец.
- След това сменете затягащата гайка с повдигнатата страна нагоре на монтажния шпиндел.

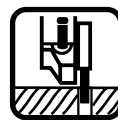
С тънки шлифовъчни дискове

- Яката на затягащата гайка е обърната нагоре, за да може безопасно да се монтира тънък шлифовъчен диск.
- Натиснете бутона за заключване на шпиндела.
- Затегнете затягащата гайка с помощта на монтажния гаечен ключ с два отвора.

С дебели шлифовъчни дискове

- Яката на затягащата гайка е обърната надолу, така че шлифовъчният диск може да бъде монтиран сигурно върху монтажния шпиндел.
- Заклучете монтажния шпиндел.
- Затегнете затягащата гайка по посока на часовниковата стрелка с помощта на монтажния гаечен ключ с два отвора.
- От съображения за безопасност пускайте уреда на максимална скорост в продължение на 60 секунди след всяка смяна на диска. Проверете за необичайни шумове и искри.
- Проверете дали всички закрепващи елементи са правилно монтирани.
- Уверете се, че стрелката, показваща посоката на въртене (ако има такава) на дисковете за рязане или грубо шлифоване (включително дискове за диамантено рязане) и посоката на въртене на уреда (стрелка, показваща посоката на въртене на главата), съвпадат.

ПРЕПОРЪКИ



При работа с отрезен диск не упражнявайте натиск, не движете диска напречно на разреза. Работете с умерено подаване, подходящо за обработвания материал. Важна е посоката, в която се реже. Машината трябва да се подава в посока, обратна на въртенето на диска. В противен случай съществува опасност дискът неконтролирано да излезе извън разреза.

При рязане на профили и тръби с правоъгълно сечение, препоръчва се да започнете рязането от наймалката страна.



При шлифване не притискайте машината върху обработваната повърхност, а движете диска плавно напред-назад. Леките метали се обработват със специални дискове. Най-добър резултат при грубо шлифване се получава при наклон от 30° - 40° между диска и обработваната повърхност.

При грубо шлифване не се допуска използването на дискове за рязане. Използването на дискове с дебелина над 6 mm не се препоръчва.

ВНИМАНИЕ! Машината продължава да работи след изключване. Не се опитвайте да го спирате, като прилагате натиск.

- Закрепете детайла. Използвайте скоби, за да държите детайла здраво на място. Това е много по-безопасно, отколкото просто да го държите в ръка.
- Винаги изключвайте уреда, до напълно спиране.
- Използвайте уреда само за сухо рязане или шлайфане.
- Допълнителната дръжка трябва да се монтира на уреда при всяка работа.
- Материали, съдържащи азбест, не могат да бъдат обработвани. Азбестът е известен канцероген.



Винаги носете предпазни очила!



Винаги носете маска за прах!



Носете защита на слуха!

ПОДДРЪЖКА

ОБЩА ПРОВЕРКА

Проверявайте редовно всички крепежни елементи и се уверете, че те са здраво пригнати. В случай, че някой от винтовете се е разхлабил, го затегнете незабавно, за да избегнете рискови ситуации.

Ако захранващият кабел е повреден, замяната трябва да се извърши от производителя или негов сервизен специалист, за да се избегнат опасностите от замяната.

ПОЧИСТВАНЕ

За безопасна работа поддържайте винаги чисти машината и вентилационните отвори. Редовно проверявайте дали във вентилационната решетка близо до електродвигателя или около превключвателите не е проникнал прах или чужди тела. Използвайте мека

ПОДДРЪЖКА ТЕХНИЧЕСКИ ДАННИ

четка за да отстраните събралия се прах.

За да предпазите очите си, по време на почистването носете защитни очила.

Ако корпусът на машината се нуждае от почистване, избършете го с мека влажна кърпа. Може да се използва слаб препарат за миене.

ПРЕДУПРЕЖДЕНИЕ!

Не се допуска употребата на спирт, бензин или други разтворители. Никога не използвайте разяждащи препарати за почистване на пластмасовите части. Не се допуска влизането на вода в контакт с машината.

РЕЗЕРВНИ ЧАСТИ

За да се осигури безопасната работа с електроинструмента и неговата надеждност, всички дейности по ремонта, поддръжката и регулирането (включително проверката и подмяната на четките) трябва да се извършват в оторизирани сервиси с използване само на оригинални резервни части.

ТЕХНИЧЕСКИ ДАННИ

Модел	SA125BLE
Номинално напрежение	220-240V~
Мощност	1300 W
Скорост на празен ход	2880-11000 RPM
Макс. диаметър на шлифовъчния диск	125 mm
Присъединителна резба на шпиндела	M14
Тегло	1,3 kg
A-претеглено ниво на звуково налягане LpA	<85 db(A)
A-претеглено ниво на звукова мощност LwA	91 dB(A)
Стойност на излъчените вибрации ah	5.2 m/s ²

Окомплектовка: предна дръжка, гаечен ключ, предпазител на ножа, ръководство за употреба.

Производителят си запазва правото да въвежда подобрения и промени в своите изделия и да променя спецификациите без предупреждение.

ДЕКЛАРАЦИЯ ЗА СЪОТВЕТСТВИЕ

Ние декларираме на своя лична отговорност, че изделието, описано в раздел "Технически данни", отговаря на всички приложими изисквания на следните директиви и хармонизирани стандарти: EN 55014-1:2017, EN 55014-2:2015, EN ISO12100, EN 62841-1, EN 60745-2-3:2011/A13:2015; 2014/30/EU, 2006/42/EC.

Техническото досие се съхранява в STATUS ITALIA S.R.L., via Aldo Moro, 14/A, 36060 - Pianezze (VI), ITALY



Caron Giacinto
Director
STATUS ITALIA S.r.l.

Дистрибутор на територията на България: Спринтер ООД.

Адрес по регистрация: България, гр. София 1000, бул. Христо Ботев 28, ет. 7.

Адрес за кореспонденция: България, гр. София 1303, бул. Тодор Александров №28, магазин №4.

Уебсайт: www.status-tools.com, E-mail: office@status-tools.eu. Тел. 02 870 51 98

ПРЕДНАЗНАЧЕНИЕ ИЗДЕЛИЯ

Углошлифовальная машина предназначена для: удаление заусенцев и грата на кромках заготовок и изделий из черных и цветных металлов; выполнение фасок на металлических заготовках перед сваркой, шлифовка торцов свариваемых заготовок и зачистка сварных швов; при использовании специальных алмазных дисков допускается резка тонкой керамической плитки (шлифовка и резка камня и кирпича запрещена, машина не обладает достаточной степенью защиты от пыли); резка тонкостенных металлических труб и профилей, тонкого металлического листа. Любое другое использование или модификация устройства считается неправильным и сопряжено со значительным риском несчастного случая. Производитель не несет ответственности за повреждения, возникшие в результате неправильного использования. Прибор не предназначен для коммерческого использования.

ОСНОВНЫЕ ТРЕБОВАНИЯ БЕЗОПАСНОСТИ

Внимание! Прочтите данное руководство полностью. Соблюдайте данные инструкции! Несоблюдение перечисленных правил безопасности может быть связано с риском поражения электрическим током, пожара или травмы.

Сохраните данное руководство.

РАБОЧЕЕ МЕСТО

- Содержите рабочее место чистым и свободным от посторонних предметов.
- Рабочее место должно быть хорошо освещено во избежание несчастных случаев.
- Не используйте изделие для работы во взрывоопасной атмосфере и вблизи от легковоспламеняющихся жидкостей. *Электродвигатель изделия при работе искрит и это может стать причиной пожара.*
- Во время работы не допускайте посторонних и детей к рабочему месту.

ЭЛЕКТРОБЕЗОПАСНОСТЬ

- Сетевая розетка должна соответствовать штепсельной вилке, установленной на сетевом кабеле изделия. Запрещается внесение изменений в конструкцию вилки и использование любых переходников.
- Во время работы избегайте контакта с заземленными предметами: водопроводными трубами, радиаторами отопления и т.д. *При контакте с заземленными предметами значительно возрастает риск поражения электрическим током.*
- Предохраняйте изделие от воздействия воды и повышенной влажности. *Попадание воды внутрь изделия может привести к поражению электрическим током.*
- Берегите сетевой кабель изделия. Не используйте кабель для переноски изделия, не тяните за кабель чтобы выключить изделие. Располагайте кабель во время работы вдали от источников тепла, подвижных частей изделия и предметов с острыми краями. *Поврежденный кабель может стать причиной поражения электрическим током.*

- При работе изделием вне помещения применяйте удлинитель, специально предназначенный для эксплуатации на открытом воздухе. Использование специального удлинителя значительно снижает риск поражения электрическим током.
- Параметры сети для подключения изделия должны соответствовать параметрам указанным на маркировочной табличке изделия. (220-240 В~, 50 Гц)

ЛИЧНАЯ БЕЗОПАСНОСТЬ

- Не работайте изделием в состоянии алкогольного или наркотического опьянения, под воздействием лекарств и в болезненном состоянии. Кратковременная потеря контроля над изделием во время работы может стать причиной серьезной травмы.
- Всегда применяйте средства индивидуальной защиты и защитные очки. К средствам индивидуальной защиты относятся: респиратор, нескользящая обувь и шумозащитные наушники. Применение средств защиты сделает работу более комфортной и безопасной.
- Внимательно следите за тем, чтобы при включении изделия в сеть, клавиша выключателя не была зафиксирована во включенном положении. Это поможет избежать случайного включения изделия.
- Следите за тем, чтобы перед включением изделия из него были удалены регулировочные инструменты, отвертки и т.п. Попадание инструмента в подвижные части изделия при включении может стать причиной травмы и привести к выходу изделия из строя.
- При работе занимайте устойчивое положение. Всегда стойте на устойчивой опоре. Потеря равновесия во время работы может стать причиной серьезной травмы.
- Не одевайте для работы излишне свободную одежду. Перед началом работы снимите ювелирные украшения. Если у Вас длинные волосы, спрячьте их под головной убор. Попадание краев одежды, ювелирных изделий и волос в движущиеся части изделия может привести к травме.
- Если в изделии предусмотрено подключение пылесоса обязательно подключите его перед работой. Эффективное удаление пыли из рабочей зоны сделает работу более удобной и сохранит Ваше здоровье.

БЕЗОПАСНОЕ ИСПОЛЬЗОВАНИЕ И ХРАНЕНИЕ ИЗДЕЛИЯ

- Не перегружайте изделие. Для каждого вида работ используйте только тот тип инструмента или оснастки, который для этого предназначен.
- Не используйте изделие с неисправным выключателем. Если выключатель работает нечетко и включение/выключение изделия затруднено, выключатель подлежит немедленной замене.

- Всегда отключайте изделия от сети перед тем как отрегулировать изделие или поменять оснастку. Это поможет избежать случайного включения изделия во время работ по его обслуживанию.
- Храните изделие в месте, недоступном детям и лицам не имеющим навыков работы с изделием. Лицо, ранее не работавшее таким типом инструмента обязано перед началом работы внимательно прочитать эту инструкцию полностью.
- Перед началом работы внимательно проверяйте состояние изделия: легкость перемещения подвижных частей, отсутствие повреждений корпусных деталей и оснастки. Любая поврежденная часть изделия или оснастки должна быть заменена перед началом работы.
- Содержите режущую оснастку в чистом виде, хорошо заточенной и смазанной. Используйте инструмент и оснастку только для производства тех видов работ, которые предусмотрены в инструкции по эксплуатации данного изделия. Использование изделия не по прямому назначению может привести к его поломке и травмам.

СЕРВИСНОЕ ОБСЛУЖИВАНИЕ

- Ремонт изделия должен осуществляться в авторизованном сервисном центре, квалифицированным персоналом и с использованием только оригинальных запасных частей. Использование при ремонте запасных частей не сертифицированных производителем данного изделия может привести к выходу изделия из строя и нарушению норм электробезопасности изделия.

СПЕЦИАЛЬНЫЕ ПРАВИЛА БЕЗОПАСНОСТИ

Техника безопасности при операциях шлифования и абразивной отрезке:

- а) Настоящий электроинструмент может использоваться в качестве шлифовальной машины и машины для нарезки с абразивным диском. Прочитайте внимательно все указания по безопасности, инструкции, иллюстрации и данные, которые Вы получили с электроинструментом. Несоблюдение указаний по безопасности может привести к поражению электрическим током, возникновению пожара и/или получению серьезных травм.
- б) Настоящий электроинструмент не пригоден для полирования, использованием с наждачной бумагой, с проволочными щетками. Выполнение работ, для которых настоящий электроинструмент не предусмотрен, может стать причиной опасностей и травм.
- с) Не пользуйтесь принадлежностями, которые не разрешены и не рекомендуются производителем специально для данного электроинструмента. Возможность крепления принадлежности к Вашему электроинструменту, не гарантирует безопасного применения.

d) Допустимое число оборотов принадлежности должно быть не менее указанного на электроинструменте максимального числа оборотов. Принадлежности, которые вращаются со скоростью, превышающей их номинальную скорость, могут разбиться и разлететься в пространстве.

e) Наружный диаметр и толщина рабочего инструмента должны быть не менее указанных размеров Вашего электроинструмента. Принадлежности с неподходящими размерами не могут быть защищены или контролироваться в достаточной степени.

f) Сменные рабочие инструменты с резьбой должны точно подходить к резьбе шлифовального шпинделя. В сменных рабочих инструментах, монтируемых с помощью фланца, диаметр отверстий рабочего инструмента должен подходить к диаметру отверстий во фланце. Сменные рабочие инструменты, которые не точно крепятся на электроинструменте, вращаются неравномерно, очень сильно вибрируют и могут выйти из-под контроля.

g) Не применяйте поврежденные принадлежности. Перед каждым использованием проверяйте принадлежности - шлифовальные диски на зазубрины и трещины, эластичные диски на трещины, разрывы или сильный износ, проволочные щетки на незакрепленные или поломанные проволочки. При случайном падении электроинструмента или принадлежности, проверяйте инструмент на повреждения или установите неповрежденную принадлежность. После проверки и установки принадлежности, Вы и находящиеся вблизи лица, займите место за пределами плоскости вращения принадлежности и оставьте электроинструмент поработать на максимальных оборотах на холостом ходу в течение одной минуты. Обычно этого времени достаточно для того, чтобы поврежденные принадлежности сломались.

h) Применяйте средства индивидуальной защиты. В зависимости от конкретного случая, пользуйтесь защитным щитком для лица или защитными очками. В случае необходимости используйте противопылевой респиратор, средства защиты слуха, защитные печатки или специальный халат, который задерживает мелкие частицы от шлифовальной принадлежности или обрабатываемой детали. Средства для защиты глаз должны защищать их от различных летящих предметов, возникающих при различных операциях. Противопылевой респиратор и газозащитные маски органов дыхания должны задерживать при работе пыль. Продолжительное воздействие сильного шума может привести к потере слуха.

i) Следите за тем, чтобы все лица находились на безопасном расстоянии от Вашего рабочего участка. Каждое лицо, находящееся в пределах рабочего участка, должно носить средства индивидуальной защиты. Летящие осколки от обрабатываемых деталей или от сломанной принадлежности могут отлететь в сторону и причинить травму даже за пределами непосредственного рабочего участка.

j) В случае потенциальной возможности касания режущей принадлежности до скрытой электропроводки или до собственного питающего шнура, держите электроинструмент только за изолированные поверхности рукояток. Контакт принадлежности с

токоведущим проводом ставит под напряжение также открытые металлические части электроинструмента и может привести к поражению оператора электрическим током.

k) Держите шнур подключения питания в стороне от вращающейся принадлежности. Если Вы потеряете контроль над электроинструментом, то шнур может быть порезан или захвачен вращающейся частью и Ваша кисть может попасть под вращающийся инструмент.

l) Никогда не выпускайте электроинструмент из рук, пока принадлежность полностью не прекратит вращаться. Вращающаяся принадлежность может задеть обрабатываемый материал и в результате Вы потеряете контроль над электроинструментом.

m) Выключайте электроинструмент при транспортировке. Ваша одежда может быть случайно захвачена принадлежностью, что может нанести Вам травму.

n) Регулярно очищайте вентиляционные отверстия электроинструмента. Вентилятор электродвигателя засасывает пыль в корпус, а чрезмерное скопление металлической пыли может привести к опасности от поражения электрическим током.

o) Не пользуйтесь электроинструментом вблизи горючих материалов. Искры могут воспламенить эти материалы.

p) Не применяйте принадлежности, работа с которыми требует использование охлаждающих жидкостей. Применение воды или других охлаждающих жидкостей может привести к поражению или удару электрическим током.

Специальные указания по безопасности по шлифованию и резанию абразивным диском

a) Используйте только рекомендованные для данного электроинструмента диски с предвиденным для них предохранителем. Диски, не предусмотренные для данного электроинструмента, не могут быть достаточно экранированы и небезопасны.

b) Изогнутые шлифовальные круги необходимо монтировать таким образом, чтобы их шлифовальная поверхность не выступала за край защитного кожуха. Неправильно монтированный шлифовальный круг, выступающий за край защитного кожуха, не прикрывается достаточным образом.

c) Защитный кожух должен закрепляться надежно к электроинструменту и настроен так, чтобы обеспечивать максимальную безопасность, т.е. в сторону оператора должна быть открыта как можно меньшая часть диска. Защитный кожух должен защищать оператора от осколков, случайного контакта с диском и искр, которые смогли бы поджечь одежду.

d) Диски необходимо применять только для рекомендуемых работ. Например, никогда не шлифуйте боковой поверхностью отрезного диска. Отрезные диски предназначены для съема материала по кромке диска. Боковое давление на такой диск может привести к его поломке.

е) Всегда применяйте неповрежденные затягивающие фланцы с подходящими размерами и формой для выбранного диска. Правильно выбранные затягивающие фланцы закрепляют диск и уменьшают вероятность его поломки. Затягивающие фланцы для отрезных дисков могут различаться от затягивающих фланцев для других видов дисков.

ф) Не используйте изношенные диски, предназначенные для электроинструментов более крупных габаритов. Диск для больших электроинструментов не подходит для более высоких скоростей малых электроинструментов и может сломаться.

Специальные указания по безопасности при резке с абразивным диском

а) Избегайте заклинивания отрезного диска или чрезмерного давления на него. Не пытайтесь выполнять слишком глубокие резы. Перегрузка отрезного диска увеличивает возможность его изнашивания и склонность к перекоосу или блокировке, а отсюда - и возможность обратного удара (отскока) или поломки диска.

б) Не стойте в участке перед и за вращающимся диском. Если отрезной диск в месте резки отдаляется от Вашего тела, то в случае обратного удара электроинструмент с вращающимся диском может отскочить прямо на Вас.

с) При заклинивании отрезного диска или по какой-либо причине Вам пришлось прекратить работу, выключите электроинструмент и держите его неподвижно до полного окончания вращения диска. Никогда не пытайтесь вынуть еще вращающийся диск из разреза, так как это может привести к обратному удару. Установите и устраните причину заклинивания.

д) Никогда не включайте повторно электроинструмент, до тех пор, пока отрезной диск находится еще в заготовке. Дайте отрезному диску достичь полного числа оборотов перед тем, как внимательно продолжите резание. В противном случае диск может засесть, выскочить из детали или отскочить.

е) Плиты или детали с большими размерами необходимо подстраховать дополнительными опорами в целях уменьшения опасности заклинивания и обратного удара. Детали больших размеров могут провисать под тяжестью собственного веса. Деталь должна лежать на опорах с двух сторон диска, как вблизи разреза, так и по краям детали.

ф) Будьте особенно осторожны при выполнении резов с „погружением“ в существующие стены или другие непросматриваемые (замурованные) участки. Погружающийся внутрь диск может порезать газопроводные или водопроводные трубы, электрическую проводку или другие объекты, что может привести к обратному удару.

Меры предосторожности, связанные с отскоком инструмента

Обратный удар - это внезапная реакция, являющаяся следствием заклинивания или блокировки принадлежности, например шлифовального диска, эластичного диска,

проволочной щетки и т.п. Заклинивание или блокировка водит до внезапной остановки вращения принадлежности, которое со своей стороны выталкивает неконтролируемый электроинструмент в сторону, противоположную направлению вращения рабочего инструмента в точке заклинивания.

Например, если шлифовальный диск заклинит или блокирует в деталь (заготовку) то погруженная в заготовку кромка шлифовального диска застрекает, вследствие чего диск может сломаться или спровоцировать отскок.

Шлифовальный диск отскакивает к оператору или от него, в зависимости от направления вращения диска в месте блокировки. В этом случае шлифовальные диски могут сломаться.

Обратный удар является следствием неправильного использования и/или неправильной эксплуатации или условий работы с электроинструментом, и может быть предотвращен благодаря нижеописанным мерам предосторожности.

а) Держите крепко электроинструмент, примите подходящую позу и поставьте руки таким образом, чтоб Вы смогли противодействовать силе обратного удара. Всегда используйте дополнительную рукоятку при ее наличии, чтобы как можно лучше противодействовать и осуществлять контроль над силой отскока или реактивным моментом при запуске. Благодаря правильным мерам предосторожности оператор может овладеть реактивным моментом и отскоком.

б) Ваши руки никогда не должны быть вблизи вращающейся принадлежности. Принадлежность может отскочить и попасть на Ваши руки.

с) Держитесь в стороне от участка, в котором электроинструмент может двигаться при обратном ударе. Отскок ведет электроинструмент в направление, противоположное движению шлифовального диска в месте блокировки.

д) При обработке углов, острых кромок и проч., работайте с повышенным вниманием. Не позволяйте принадлежности отскакивать или блокировать деталь. При обработке углов и острых кромок имеется вероятность заклинивания вращающейся принадлежности, что может причинить потерю контроля или отскок.

е) Не используйте цепные или циркулярные диски для обработки древесины. Данные принадлежности часто являются причиной отскока или потери контроля над электроинструментом.

ф) Фиксируйте положение обрабатываемой детали в тисках или иным подходящим способом.

ОПИСАНИЕ

1. Выключатель
2. Кнопка фиксации шпинделя
3. Регулятор скорости
4. Кожух защитный

УКАЗАНИЯ ПО РАБОТЕ**Включение/выключение**

Включение: нажмите на заднюю часть выключателя 1, а затем продвиньте его вперед, пока его передний край не зафиксируется

Выключение: нажмите на задний приподнятый конец переключателя 1 и отпустите, чтобы вернуться в исходное положение.

Установка защитного кожуха**УСТАНОВКА:**

Откройте защелку кожуха и установите кожух на шейку шпинделя так, чтобы оба выступа на кольце кожуха совпали с двумя выемками на шейке редуктора. Поверните кожух в желаемое положение и закройте защелку, чтобы зафиксировать кожух.

СНЯТИЕ:

Откройте защелку кожуха, поворачивайте защиту до тех пор, пока оба выступа на кольце кожуха совпадут с двумя выемками на шейке редуктора и снимите защитный кожух.

Установка / замена диска (рис. 2)

При замене отрезных / шлифовальных дисков всегда надевайте защитные перчатки. Обратите внимание на размеры отрезного диска. Диаметр отверстия должен соответствовать монтажному фланцу без люфта. Не используйте переходник.

- Используйте только чистые диски.
- Используйте только шлифовальные диски, допустимая частота вращения которых не выше указанной на заводской табличке электроинструмента.
- **ОПАСНОСТЬ ПОЛУЧЕНИЯ ТРАВМ!** Нажимайте кнопку блокировки шпинделя только тогда, когда шпиндель полностью остановлен.
- Нажмите кнопку блокировки шпинделя.
- Ослабьте зажимной фланец с помощью ключа с двумя штырями.
- Поместите диск для грубой шлифовки или резки этикеткой в сторону прибора на монтажный фланец.
- Затем установите зажимной фланец на шпинделе приподнятой стороной вверх.

С тонкими шлифовальными кругами

- Выступ зажимного фланца обращен вверх, чтобы можно было безопасно установить тонкий шлифовальный диск.
- Нажмите кнопку блокировки шпинделя.
- Затяните зажимной фланец с помощью ключа.

С толстыми шлифовальными кругами

- Выступ зажимного фланца вниз, чтобы шлифовальный диск можно было надежно установить на шпиндель.

- Заблокируйте шпиндель.
- Затяните зажимную гайку по часовой стрелке с помощью ключа с двумя штырями.
- В целях безопасности запускайте прибор на максимальной скорости в течение 60 секунд после каждой замены диска. Помните о необычных шумах и искрах.
- Проверить правильность установки всех крепежных элементов.
- Убедитесь, что стрелка, показывающая направление вращения (если есть) на отрезных или черновых шлифовальных кругах (включая алмазные отрезные диски), и направление вращения устройства (стрелка, показывающая направление вращения на головке) совпадают.

Советы по работе

- Крепко удерживайте изделие при работе за переднюю и заднюю рукоятки
- При шлифовании и резке металла образуются искры, не допускайте нахождения в рабочей зоне людей и горючих материалов.
- Прежде чем отключить машину, поднимите шлифовальный круг с обрабатываемой поверхности.

ВНИМАНИЕ! Категорически запрещается устанавливать на угловую шлифовальную машину пыльные диски по дереву. Категорически запрещается использование изделия со снятым защитным кожухом.



Грубое шлифование: Никогда не используйте отрезные круги для грубого шлифования!

- С умеренным давлением перемещайте угловую шлифовальную машину вперед и назад по заготовке.
- При работе с мягким материалом переместите диск для грубого шлифования под небольшим углом над заготовкой; для твердых материалов под немного более крутым углом.



Абразивная резка: никогда не используйте для резки черновые диски!

- Используйте только проверенные армированные волокном отрезные или шлифовальные диски, которые разрешены для окружной скорости не менее 80 м / с.



Надевайте защитные очки!



Надевайте пылезащитную маску!



Надевайте защитные наушники!

ОБСЛУЖИВАНИЕ

ОБЩИЙ ОСМОТР

Проверяйте регулярно все элементы крепления и убедитесь в том, что они крепко затянуты. В том случае, если какой-либо винт ослаблен, незамедлительно затяните его во избежание ситуаций, связанных с риском.

Если кабель питания поврежден, замена должна быть осуществлена производителем или его сервисным специалистом во избежание опасностей, связанных с заменой.

УБОРКА

Регулярно проверяйте, не проникли ли в вентиляционные отверстия электродвигателя пыль или инородные тела. После каждого использования чистите изделие от пыли, стружки и опилок. Используйте мягкую щетку или струю сжатого воздуха, чтобы устранить накопившуюся пыль. Для чистки используйте влажную ткань с небольшим количеством мыла.

ВНИМАНИЕ!

Не используйте для чистки моющие средства или растворители - они могут вызвать повреждение пластмассовых деталей изделия. Проследите, чтобы вода не попала внутрь изделия.

ЗАМЕНА ЗАПАСНЫХ ЧАСТЕЙ

Использование при ремонте запасных частей других производителей может привести к выходу изделия из строя и серьёзным травмам. Только оригинальные запасные части, установленные в авторизованном сервисном центре, гарантируют надёжную и безопасную работу изделия.

ТЕХНИЧЕСКИЕ ХАРАКТЕРИСТИКИ

Модель	SA 125BLE
Напряжение питания	220-240 В~
Мощность	1300 Вт
Частота вращения	2880-11000 /мин.
Макс. диаметр диска	125 мм
Резьба шпинделя	M14
Масса	1,3 кг
A-взвешенный уровень звуковой нагрузки LpA	<85 дБ(A)
A- взвешенный уровень звуковой мощности LwA	91 дБ(A)
Показатель замеренных вибраций ah	5,2 м/с ²

Комплектация: передняя рукоятка, ключ, защитный кожух, инструкция по эксплуатации.

Производитель оставляет за собой право изменять технические параметры изделия и его комплектацию без предварительного уведомления.

ДЕКЛАРАЦИИ СООТВЕТСТВИЯ

STATUS ITALIA S.R.L. заявляет, что изделие торговой марки STATUS аккумуляторная углошлифовальная машина SA125BLE изготовлена в соответствии со следующими директивами ЕС: **2014/30/EU, 2006/42/EC.**

Также соответствует нижеперечисленным стандартам: EN 55014-1:2017, EN 55014-2:2015, EN ISO12100, EN 62841-1, EN 60745-2-3:2011/A13:2015.

Техническа документация находится у производителя: STATUS ITALIA S.R.L., via Aldo Moro, 14/A, 36060 - Pianezze (VI), ITALY



Карон Джиасинто
Директор
STATUS Italia S.r.l.

Машины углошлифовальные марки «STATUS» соответствуют требованиям технических регламентам Таможенного союза и Евразийского экономического союза:

ТР ТС № 004/2011 «О безопасности низковольтного оборудования»,

ТР ТС № 010/2011 «О безопасности машин и оборудования»,

ТР ТС № 020/2011 «Об электромагнитной совместимости технических средств»

ТР ЕАЭС № 037/2016 «Об ограничении применения опасных веществ в изделиях электротехники и радиоэлектроники».

Документы, подтверждающие соответствие продукции, размещены на сайте:

www.status-tools.com. Сделано в Китае.

Изготовитель: STATUS ITALIA S.R.L.

Адрес местонахождения:

via Aldo Moro, 14/A, 36060 - Pianezze (VI), ITALY

Заявитель: ООО «ТД ГРИНПАК»

Адрес: г. Москва, ул. Каспийская, дом 22, к.1 стр.5.

Дата изготовления: см. маркировку изделия

